



# heroyal Project Service

Your partner for sustainable construction





heroal



<b>Foreword</b>	Page 04
<b>Project Service and Quality</b>	
Quality and Logistics	Page 08
heroal Surface Coating	Page 10
Service for Architects and Specialist Planners	Page 12
Certifications	Page 14
Sustainability	Page 16
<b>Window and Door Systems with Standard heroal System Profiles</b>	
heroal Window Systems	Page 20
Supplementary Product Solutions	Page 28
heroal Door Systems	Page 30
heroal Sliding and Lifting-Sliding Systems	Page 32
Supplementary Product Solutions	Page 36
Reference Buildings	Page 38
<b>Unisolated Profile Systems with Standard heroal System Profiles</b>	
Unisolated Systems	Page 52
Reference Buildings	Page 56
<b>Curtain Wall Solutions with Standard heroal System Profiles</b>	
heroal Curtain Wall Solutions	Page 62
Supplementary Product Solutions	Page 66
Reference Buildings	Page 68
<b>Standard heroal Systems with Building-Specific Testing</b>	
heroal Test Centre	Page 84
Reference Buildings	Page 86
<b>Special Solutions with heroal Systems</b>	
Object Profiles	Page 96
Reference Buildings	Page 98
<b>Private Residential Construction</b>	
heroal Front Door and Window Systems	Page 110
heroal Sun Protection, Roller Shutter and Roller Door Systems	Page 112
heroal Insect Protection Systems	Page 114
heroal Folding and Sliding Shutters / heroal Terrace Roof and Carport Solutions	Page 116
Reference Buildings	Page 118
<b>Contact</b>	Page 126

# Foreword

## Allow us to introduce ourselves

An international and dynamic family business, heroyal has been developing and producing high-quality and innovative aluminium system solutions for roller shutters, sun protection, roller doors, windows, doors and curtain walls for more than 140 years. In doing so, we always put customers' requirements first, from the initial idea to the implementation, always following our guiding principle of combining cost-effectiveness with sustainability. We want to make energy saving easier and construction safer – whether it is in the industrial, commercial, public or private sector. Sustainability, quality and design are our top priorities: 100% "Made in Germany".

Our great passion for perfect engineering continuously sets new standards in innovation and quality and has made us the technical market leader in the area of high-quality and modular aluminium systems. Our systems provide optimal solutions for almost every requirement.



## Innovation and quality "Made in Germany"



3 production locations



800 staff



140 years of experience



3,500 partners worldwide



international subsidiaries



40,000 m<sup>2</sup> logistics centre



made in Germany



100% checked quality



widest design variety

Tobias Thiemann  
Head of Building Sales

# Project Service and Quality





## Quality and Logistics

Tested quality, highest delivery reliability

We are motivated every day by purpose, innovation and inventiveness; all with the aim of creating future jobs, public buildings and housing.

We work with passion to realise what is technically feasible. And we don't just act as a manufacturer here, but even more as a partner. This begins with comprehensive consultation and preparation, and also includes the most reliable and speedy delivery, thanks to our modern logistics centre. Because we apply the powder coating ourselves, we can, for example, deliver profiles two weeks after receiving an order. In addition, our coating provides a high degree of weather resistance as standard – and is available at no extra charge. Our profiles are foiled directly after coating to ensure that they are optimally protected until processing.

Quality is an important distinguishing feature. That's why we deliver the best quality. We have established a new standard with our fully automatic quality control – 100% objective and fully documented. Everything that leaves our premises is also certified by Dekra according to ISO EN 9001.







**At a glance:**

- » the only system supplier whose profiles' metal-plastic composite is checked by ift-Rosenheim
- » in-house heroal hwr powder coating as standard at no extra charge
- » shortest delivery time (approx. two weeks) with 98% reliable on-time delivery
- » 100% automatic and objectively tested surface quality
- » protection of profiles with foiling directly after coating
- » in-house and industry-exclusive profile bending and edging service
- » order-specific sorting and separation of all profiles in long goods pallets
- » own heroal truck fleet

## heroal Surface Coating

Sustainable, versatile and innovative

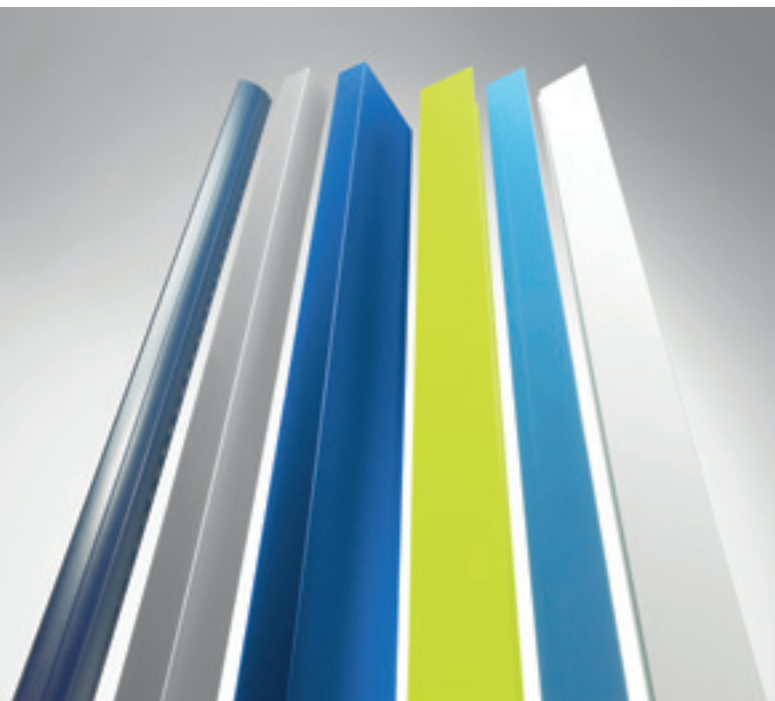
Individual architecture also requires the various systems to be coloured individually. Our flexible and long-lasting products and the corresponding surface coating provide a wide range of options and design possibilities for all requirements and styles. You can choose from a colour palette of approx. 500 different shades, all of which are permanently in stock. Textured paints and special colours are just as much a part of this as the various finishes of dull matt, matt and gloss.

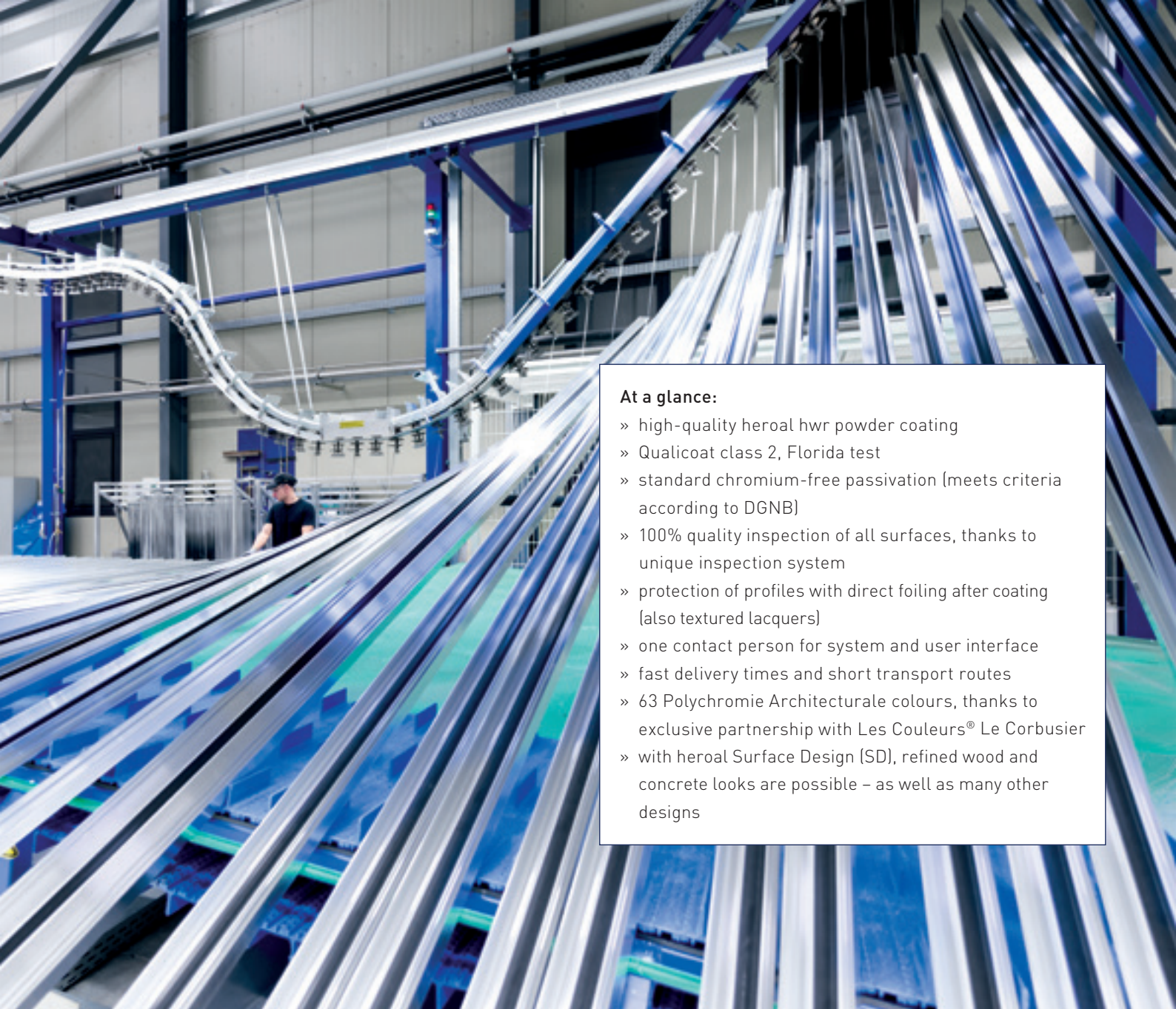
All surface coatings are characterised by typical heroal quality and support the systems' durability. The colour stability, gloss retention, corrosion protection, weather resistance and protection against UV radiation are excellent.

We have been setting international quality standards for decades – and of course in compliance with all ecological requirements.

Thanks to an exclusive partnership with Les Couleurs® Le Corbusier, our products are now also available in the Les Couleurs® Le Corbusier. The colour spectrum comprises the 63 colour shades of the Polychromie Architecturale.

with the next generation of surface finishing, we are offering even more creative design options: with heroal Surface Design (SD), refined wood and concrete looks are possible – as well as many other designs. Additional differentiation possibilities are not all that heroal SD has to offer; its superior resistance level and extremely convenient finishing are also outstanding. Our different coating variants provide investors, architects and planners with the optimal basis for high-quality and harmonious design concepts.





- At a glance:**
- » high-quality heroal hwr powder coating
  - » Qualicoat class 2, Florida test
  - » standard chromium-free passivation (meets criteria according to DGNB)
  - » 100% quality inspection of all surfaces, thanks to unique inspection system
  - » protection of profiles with direct foiling after coating (also textured lacquers)
  - » one contact person for system and user interface
  - » fast delivery times and short transport routes
  - » 63 Polychromie Architecturale colours, thanks to exclusive partnership with Les Couleurs® Le Corbusier
  - » with heroal Surface Design (SD), refined wood and concrete looks are possible – as well as many other designs



*with conventional powder coating*



*heroal hwr powder coating*

## Service for Architects and Specialist Planners

Your contact for all questions

Our customers benefit from a consulting service that is optimally tailored to their needs; a service that provides architects, planners and investors with their own team of experts. Here, you will find detailed information about our products, physical building properties, individual and specialist consultation including cost estimates; this, of course, also on-site and in all phases of your building project, from the preliminary planning to the implementation of the building.

You can reach the heroal Project Service via email at [objekt@heroal.de](mailto:objekt@heroal.de) or by telephone at + 49 5246 507-5156



**Preliminary planning:**

- » support in system selection
- » static pre-dimensioning
- » development of special solutions
- » preparation of performance specifications
- » master detail planning
- » support in preparing quotations and calculations
- » tendering texts for heroyal products available
- » BIM and CAD data of heroyal systems available
- » procurement of partners for your building project
- » seminars and training
- » creation of bidder lists

**Building implementation:**

- » complete processing of the building-specific certification internally or with accredited testing institutes
- » development of a delivery and packaging concept tailored to your building project
- » efficient induction and training for fabricators before and during production

**Online workplace heroyal Communicator:**

- » secure and reliable working environment with personalised content
- » access to all relevant working materials – technical information, test documents and much more.
- » reach your contacts quickly and personally – whether by email, app or telephone
- » make appointments with your heroyal consultant easily and quickly, directly online.
- » available on all end devices, even when on the move

**Follow-up:**

- » creation of building reports, photos or videos of your buildings


## Certifications

We set standards

heroal insists on the highest quality and produces exclusively in Germany. We attain this quality thanks to our long-standing collaboration with leading supplier companies, as well as a vertical range of manufacture, which we can only achieve by using the many machines developed in our company. These conditions also enable us to quickly implement individual requirements, which can be delivered to our customers with short

turnaround times thanks to our own reliable logistics service. Our aluminium systems are exported to many countries and are used in numerous projects worldwide.


Of course, heroal systems and components are certified according to ISO EN 9001 – the heroal service offer sets new standards throughout the industry.



**DEKRA Certificate ISO 9001**  
heroal is certified according to ISO 9001.



**AUF Certificate 2018**  
heroal actively participates in a qualified reusable material cycle for aluminium. It recycles aluminium from capital goods for capital goods.



**ift certificate**  
heroal has a test bench certified by ift and is also a certified specialist business for calculating heat transfer coefficients.



**Qualicoat Certificate 2014**

The Qualicoat Certificate certifies heroal's uniform coating quality and know-how at the highest level.



**GSB Sea Proof**

heroal coatings meet the quality standards of the premium class and even achieve the "Sea Proof" standard.



## Sustainability

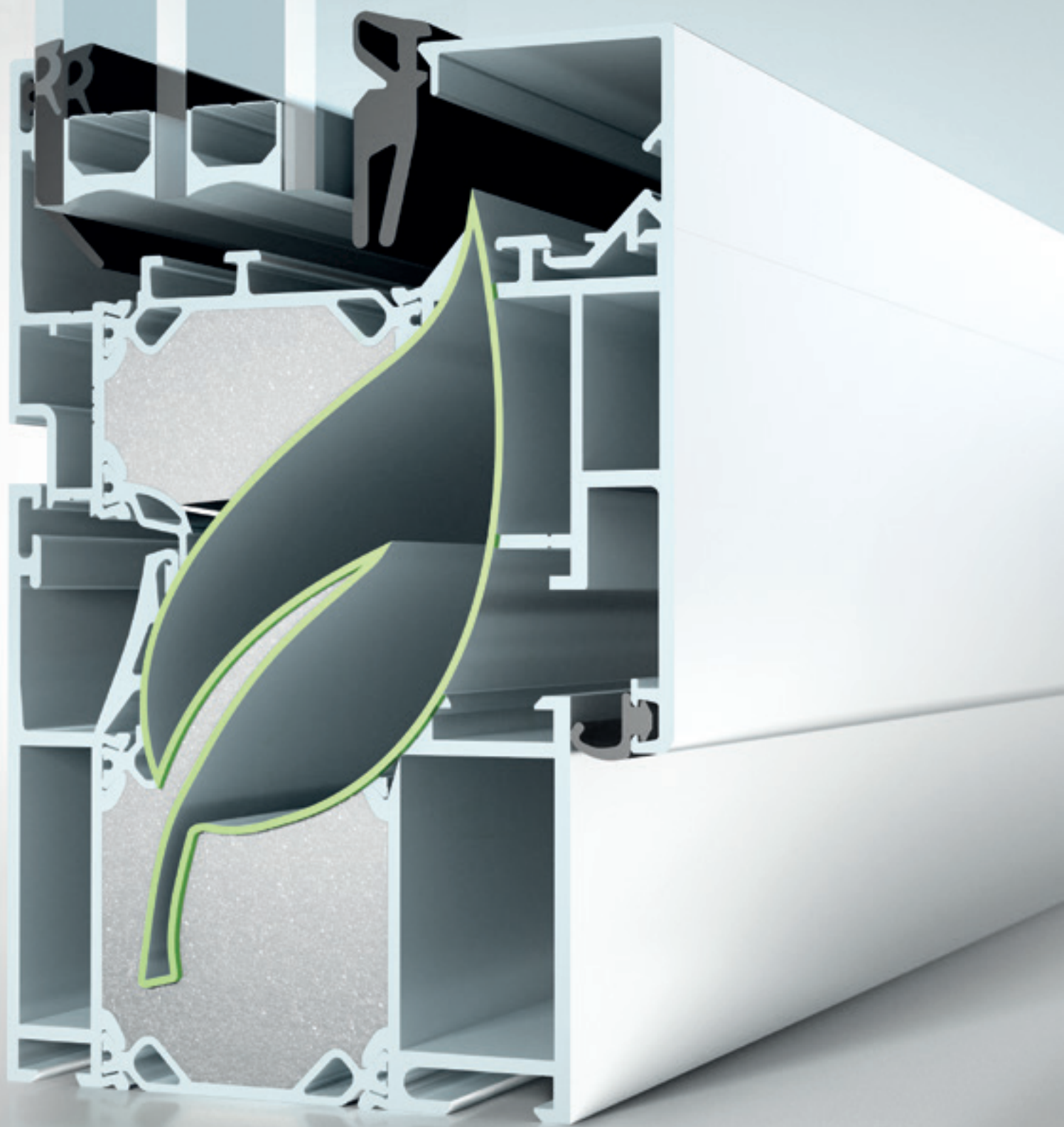
### Conserving resources

Reconciling aspects of economic efficiency with sustainable action is a challenge that heroal is happy to take up. This is the path that we have chosen and that we consistently pursue. There are already a number of examples of this in the company today – from the choice of materials and energy savings in the manufacturing process to the climate-friendly distribution of heroal products.

The responsible use of resources is part of heroal's corporate philosophy. Recycled aluminium is therefore used in our production. In addition, we prefer to use resource-conserving materials in our production processes, for example for heroal W 72 window solution: The thermal break used for the insulation consists of 62% renewable raw materials.







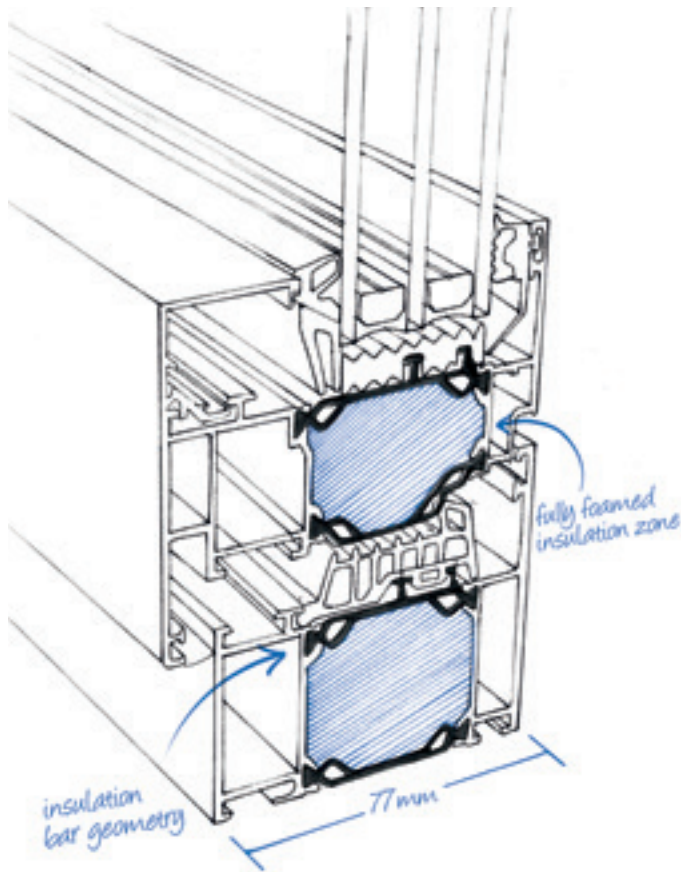


# Window and Door Systems with Standard heroyal System Profiles



## heroal Window Systems

Versatile and reliable



With heroal, remarkable comes as standard. The heroal W 77 PH and heroal W 77 HI series achieve Passive House certification and Passive House suitability with a basic depth of only 77 mm. At the same time, the instability of systems with a greater construction depth is avoided, which can also minimise costs.

heroal has developed window systems that are tailored to various areas of application. All windows are ift-certified and manufactured with sustainability in mind – quality "Made in Germany". Our systems offer high quality combined with maximum energy and cost efficiency.

### Special features:

- » window casement sizes Turn-tilt and turn up to W x H = 1,400 x 2,800 mm possible without additional testing and evaluation. Large casement dimensions with narrow casements can be achieved with minimum view widths of 90 mm (frame and casement)
- » casement weight: up to 200 kg with tilt and turn and up to 300 kg with turn
- » fittings: Overlying (WF 100, WF 200, WF 300) and concealed fittings (WF 100 i) possible
- » high degree of thermal insulation and great stability at low construction depths, and thus economic advantage over systems with larger construction depths
- » Passive House-certified and suitable for passive houses with a basic depth of only 77 mm
- » burglary resistance: Resistance classes RC 1/RC 2/RC 3 tested
- » economical burglary resistance through component reduction – RC 2 already possible from four locking parts and RC 3 already possible from 12 locking parts (with a casement leaf size of 1,250 x 1,400 mm)
- » resistance classes RC 4 in conjunction with heroal stainless-steel roller shutters

# heroal W 77

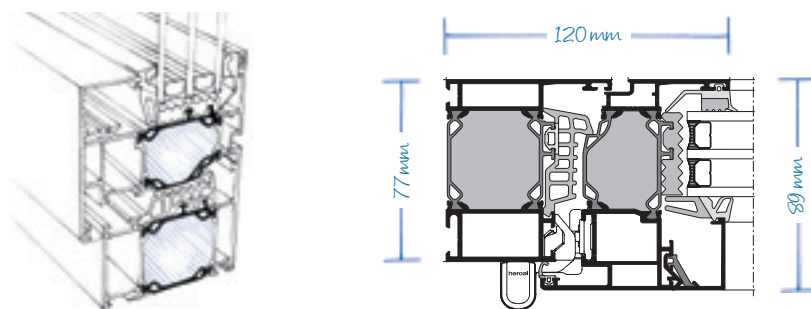
A window system to meet present and future needs

An intelligent combination of geometry and material enables the heroal W 77 window system to achieve a  $U_f$  value of  $0.95 \text{ W/m}^2\text{K}$  at passive-house level, with an installation depth of just 77 mm. With this development, heroal has designed the thermally separated aluminium window in such a way that it not only meets present demands stated by the 2016 German Energy Savings Regulation (EnEV) over the long term, but also fulfils future requirements for “nearly zero-energy buildings”.

**System variants:**

heroal W 77 HI – a window system to meet present and future needs

heroal W 77 PH – the window system with passive-house certification



**Performance characteristics**

0.95 Thermal insulation ( $U_f$ in $\text{W/m}^2\text{K}$ )	4 Air permeability	9A Resistance to driving rain	C5/B5 Wind resistance	1-5 Soundproofing class	RC3/RC4* Resistance to burglary	F 1 Operating forces	5 Impact resistance:	3 Continuous function
--	-----------------------	----------------------------------	--------------------------	----------------------------	------------------------------------	-------------------------	-------------------------	--------------------------

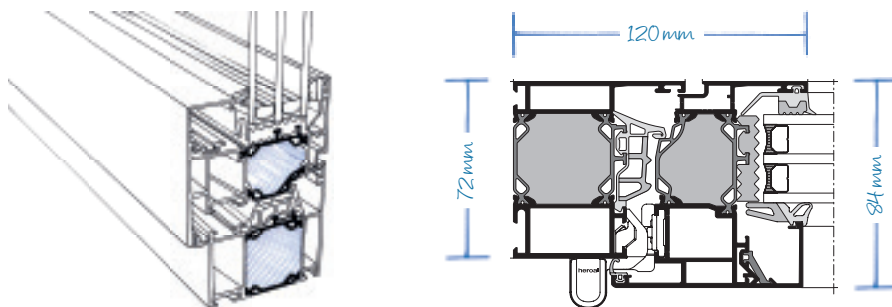
\*in conjunction with the corresponding heroal roller shutter system

# heroal W 72

The innovative system solution for the latest generation of sustainable, aluminium windows

Innovative, future-oriented window systems demand the highest quality with minimal energy and material consumption during manufacture and maximum efficiency for energy and costs throughout the lifetime of a product. To ensure the unique level of heroal quality, it has always been our policy to carry out the key production steps in our own factories, applying our own expertise. heroal has developed an innovative system solution for durable aluminium windows in line with this guiding principle, which is setting new standards – heroal W 72.

**System variants:** heroal W 72 HI – the highly insulated window system



**Performance characteristics**

1.3 Thermal insulation ( $U_f$ in $\text{W/m}^2\text{K}$ )	4 Air permeability	9A Resistance to driving rain	C5/B5 Wind resistance	1-5 Soundproofing class	RC3/RC4* Resistance to burglary	F 1 Operating forces	5 Impact resistance	3 Continuous function
---	-----------------------	----------------------------------	--------------------------	----------------------------	------------------------------------	-------------------------	------------------------	--------------------------

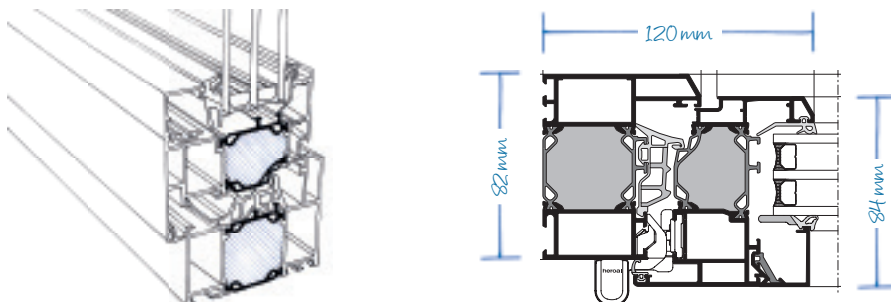
\*in conjunction with the corresponding heroal roller shutter system



## heroal W 72 CL

### Angled outer contour window system

With its bevelled design (classic line contour) and balanced proportions, the heroal W 72 CL window system is the perfect solution for renovation or refurbishment work. The system combines an offset contour design with proven heroal system components.



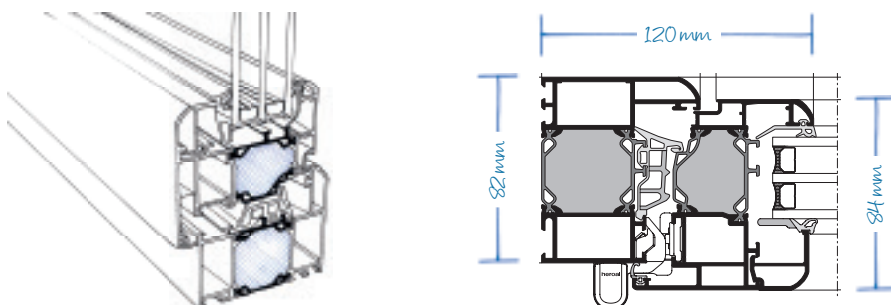
#### Performance characteristics

 1.3 Thermal insulation (U <sub>t</sub> in W/m <sup>2</sup> K)	 4 Air permeability	 9A Resistance to driving rain	 C5/B5 Wind resistance	 1-5 Soundproofing class	 RC3 Resistance to burglary	 F ↓ 1 Operating forces	 3 Impact resistance	 2 Continuous function
---	---	--	--	--	---	--	--	--

## heroal W 72 RL

### Rounded outer contour window system

With its classic design including lightly rounded edges (rounded line contour), the heroal W 72 RL window system perfectly integrates into the design of historic facades. This makes it the ideal solution for the restoration of older structures and listed buildings in the areas of residential and building construction.



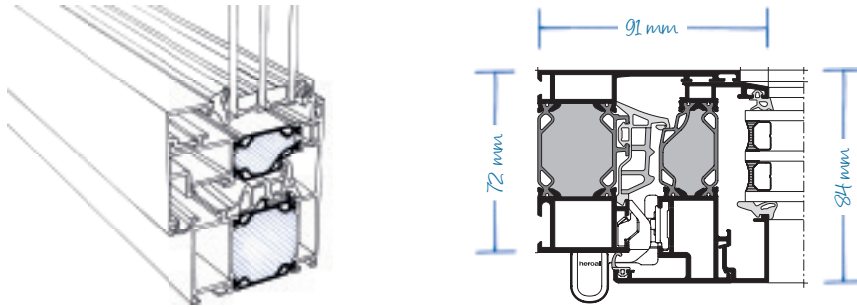
#### Performance characteristics

 1.3 Thermal insulation (U <sub>t</sub> in W/m <sup>2</sup> K)	 4 Air permeability	 9A Resistance to driving rain	 C5/B5 Wind resistance	 1-5 Soundproofing class	 RC3 Resistance to burglary	 F ↓ 1 Operating forces	 3 Impact resistance	 2 Continuous function
---	---	--	--	--	---	--	--	--

## heroal W 72 i

### Block window system - Internal glazing

The heroal W 72 i window system combines architectural design with filigree face widths. heroal W 72 i offers maximum transparency, thermal insulation and elegant design without visible casements and glass strips. This block window system can be used in a variety of ways, including as a facade insert unit. In combination with concealed system fittings it makes for an elegant design.

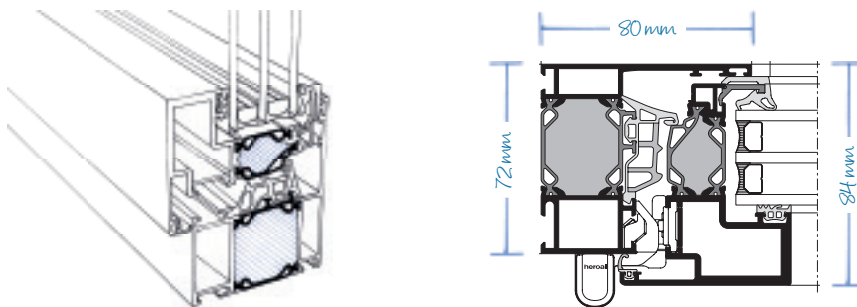


#### Performance characteristics

 1.5 Thermal insulation (U <sub>t</sub> in W/m <sup>2</sup> K)	 4 Air permeability	 9A Resistance to driving rain	 C5/B5 Wind resistance	 1-5 Soundproofing class	 RC2 Resistance to burglary	 F <sub>1</sub> 1 Operating forces	 3/5 Impact resistance	 3 Continuous function
---	--	---	---	---	--	--	---	---

## heroal W 72 i

### Block window system - External glazing



#### Performance characteristics

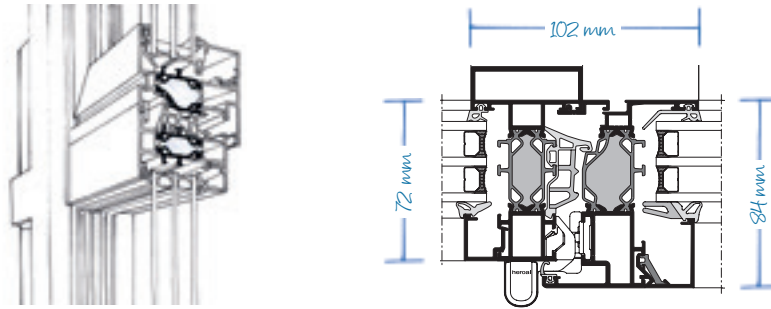
 1.5 Thermal insulation (U <sub>t</sub> in W/m <sup>2</sup> K)	 4 Air permeability	 9A Resistance to driving rain	 C5/B5 Wind resistance	 1-5 Soundproofing class	 RC2 Resistance to burglary	 F <sub>1</sub> 1 Operating forces	 3/5 Impact resistance	 3 Continuous function
--	---	--	--	--	---	---	--	--












## heroal W 72 CW

### Facade design window system

The heroal W 72 CW window system offers planners individual, building-specific design options for window elements between floors. Large openings and spaces can thus be realised as a classic mullion and transom design. With a number of different profile variations to choose from, the heroal W 72 CW aluminium composite system is an attractive alternative to steel facades.

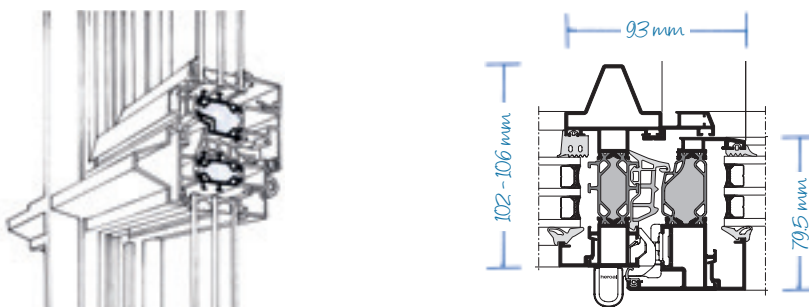


#### Performance characteristics


 1.3 Thermal insulation (U <sub>t</sub> in W/m <sup>2</sup> K)	 4 Air permeability	 9A Resistance to driving rain	 C5/B5 Wind resistance	 - Soundproofing class	 - Resistance to burglary	 1 Operating forces	 - Impact resistance	 - Continuous function
---	--	---	---	---	--	---	---	---

## heroal W 72 CW

### Steel design window system



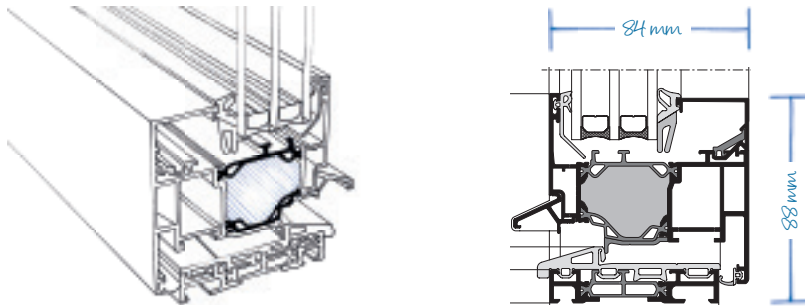
#### Performance characteristics

 1.5 Thermal insulation (U <sub>t</sub> in W/m <sup>2</sup> K)	 4 Air permeability	 9A Resistance to driving rain	 C5/B5 Wind resistance	 1-5 Soundproofing class	 RC2 Resistance to burglary	 1 Operating forces	 3/5 Impact resistance	 3 Continuous function
--	---	--	--	--	---	--	--	--










## heroal W 72 UD

System solution for window elements with accessibility requirements

Both DIN 18040-1 (for public areas) and DIN 18040-2 (for accessible residences) explicitly require step-free threshold solutions. A maximum height of 20 mm is only permitted in exceptional situations where no other solution is possible. heroal W 72 UD offers the ideal solution for accessibility.



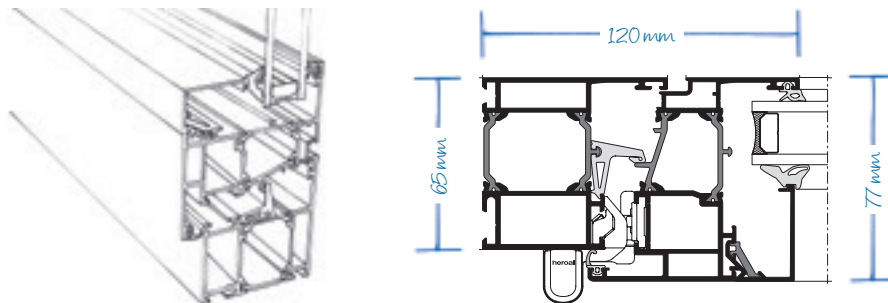
### Performance characteristics

 1.8 Thermal insulation (U <sub>t</sub> in W/m <sup>2</sup> K)	 4 Air permeability	 9A Resistance to driving rain	 C2/B2 Wind resistance	 - Soundproofing class	 RC2 Resistance to burglary	 F ↓ 1 Operating forces	 - Impact resistance	 - Continuous function
--	---	--	--	--	---	--	--	--

## heroal W 65

Economical system solution for windows

The heroal W 65 system provides particularly economical window solutions. It meets the highest quality standards: With three-chamber profiles and the proven fittings, the system is equipped to a high standard and also impresses with its soundproofing and burglary resistance.



### Performance characteristics

 2.5 Thermal insulation (U <sub>t</sub> in W/m <sup>2</sup> K)	 4 Air permeability	 9A Resistance to driving rain	 C5/B5 Wind resistance	 1-5 Soundproofing class	 RC3 Resistance to burglary	 F ↓ 1 Operating forces	 3 Impact resistance	 2 Continuous function
--	---	--	--	--	---	--	--	--

## System comparison

Description	heroyal W 77	heroyal W 72	heroyal W 72 RL/CL	heroyal W 72 i		heroyal W 72 UD	heroyal 72 CW		heroyal W 65
				External glazing	Internal glazing		Steel-design	Facade-design	
Thermal insulation $U_r$ [W/m <sup>2</sup> K]	1.1	1.3	1.3	1.5	1.7	1.8	1.5	1.3	2.2
Profile width [mm]	120	120	120	87	91	88	100	120	120
Air permeability	4	4	4	4		4	4		4
Resistance to driving rain	9A	9A	9A	9A	9A	9A	9A		9A
Wind resistance	C5/B5	C5/B5	C5/B5	C5/B5		C2/B2	C5/B5		C5/B5
Soundproofing class (SK)	1-5	1-5	4	5/4		-	-		1-5
Resistance to burglary	RC 3/RC 4*	RC 3/RC 4*	RC 3	RC 2		RC 2	-		RC 3
Operating forces	1	1	1	1		1	1		1
Impact resistance	5	4	2	3/5		-	-		3
Continuous function	3	3	-	3	-	-	-		2

\* in conjunction with the corresponding heroyal roller shutter system



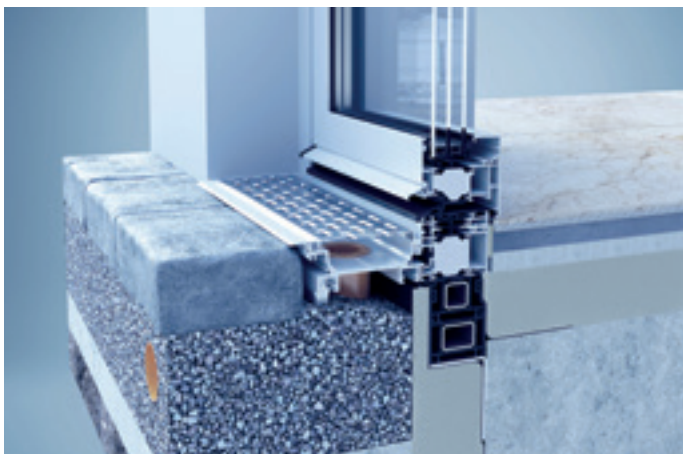
## Supplementary Product Solutions

Functional and versatile in application



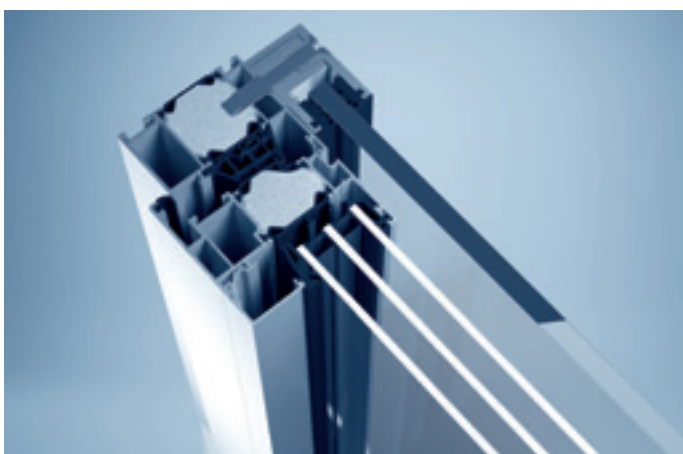
### **heroal WF fitting system**

The heroal WF fitting system is available as a standard handle with fork drive or as a plug-in handle with a round rose. It can be used as an overlying fitting (WF 100, WF 200, WF 300) or as a concealed fitting (WF 100 i).



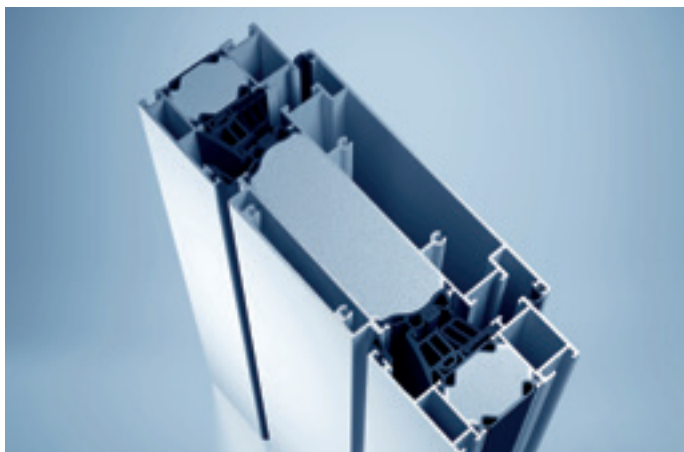
### **heroal DS integrated surface drainage system**

The heroal DS drainage system guarantees planning reliability, a variety of combinations and system solutions for all trades, as it drains off surface water with accessible thresholds (according to DIN 18040-1 and DIN 18040-2).



### **Anti-drop devices**

Many manufacturers test anti-drop devices (e.g. glass balustrades or French balconies) with heroal systems.



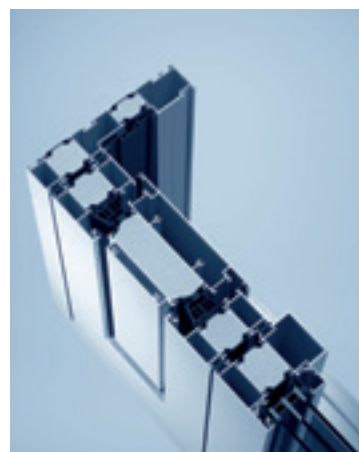
*Ventilation damper*

**heroal W 72 VF ventilation dampers**

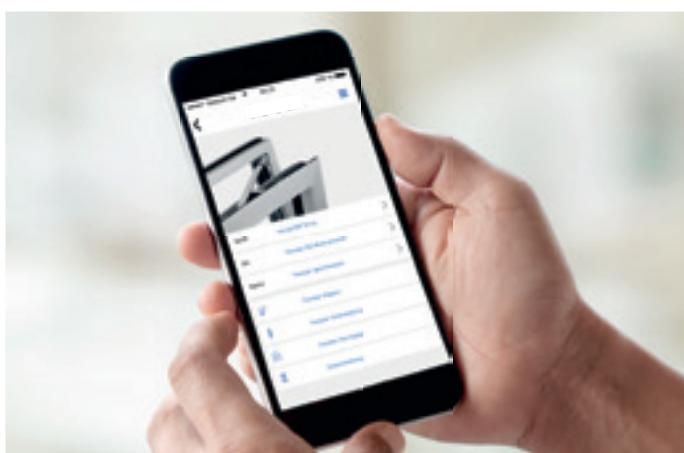
Depending on the application, the heroal W 72 VF ventilation damper can be used as a rotating or horizontal tilting element (transom window). Anti-drop thanks to clearance of less than 120 mm with the 170-mm casement variant. heroal W 72 VF is compatible with heroal C 50, heroal W 72, heroal D 72 and heroal S 77 SL.



*Ventilation flap in the curtain wall*



*Ventilation flap in sliding/lifting-sliding system*

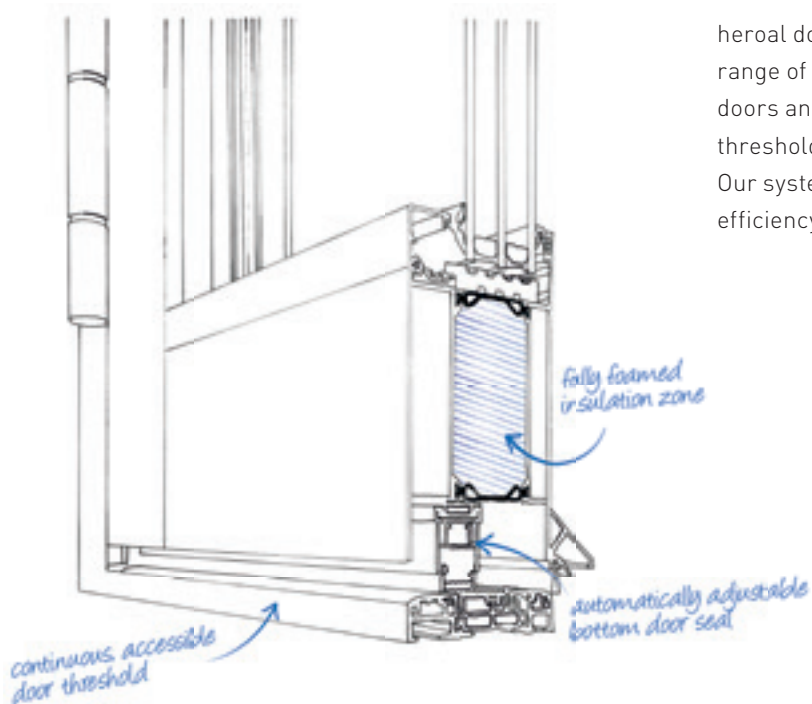


**heroal WF Drive window operator**

heroal WF Drive is a concealed tilt locking drive that is used for motorised locking/ unlocking, tilting and closing of a tilt or turn-tilt window. The drive can be operated via a wall switch, for example.

## heroal Door Systems

For the highest demands in terms of energy efficiency, function, design and safety



heroal door systems are suitable for a wide range of applications: Building doors, front doors and fire doors, including matching thresholds, door casements and fittings. Our systems achieve peak values in energy efficiency, sound insulation and safety.

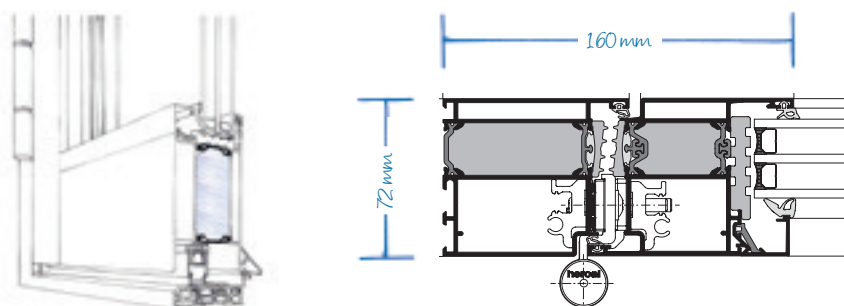
### Special features:

- » door systems with high stability and functionality
- » tested systems for escape and rescue routes according to DIN EN 179/1125
- » anti-clamping protection
- » burglary resistance: tested up to resistance classes/RC 3
- » basement weight: up to 180 kg
- » patented distortion-resistant profile compound that counteracts distortion, thanks to the "BI metal effect"
- » maximum functional reliability of the heroal D 82 FP fire protection door system according to DIN 4102-5
- » installation depth of 82 millimetres guarantees long-term user and functional reliability

## heroal D 72 building door

Commercial door system for heavily used entrance areas

The heroal D 72 door system offers functional versatility with a range of opening types for typical heroal performance features. The tested and certified heroal system allows all conventional types of openings to be implemented, including tested emergency exits and escape routes (according to DIN EN 179/1125), automatic door systems, finger guard doors and burglar-resistant doors – also with the emergency exit door function.



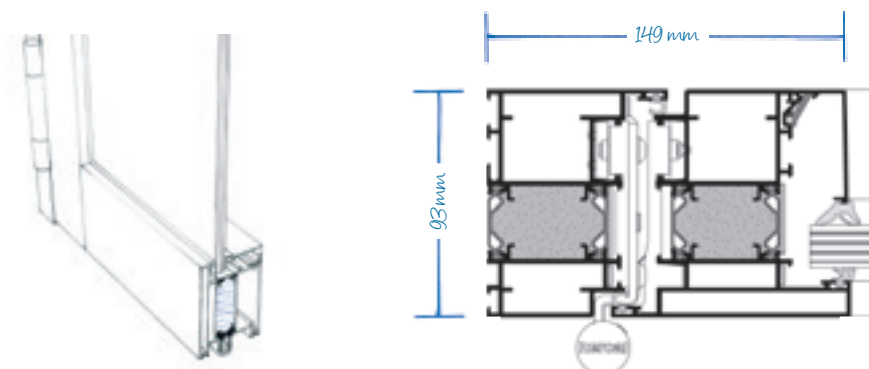
### Performance characteristics

 1.7 Thermal insulation (U <sub>t</sub> in W/m <sup>2</sup> K)	 4 Air permeability	 5A Resistance to driving rain	 C4 Wind resistance	 1-3 Soundproofing class	 RC3 Resistance to burglary	 2 Operating forces	 4 Impact resistance	 6/8 Continuous function
--	---	--	---	--	---	--	--	--

## heroal FireXtech D 93 FP EI 30

Fire Protection for Europe

heroal FireXtech D 93 FP is a fire protection system with CE-certification mark. It stands out for its modular design, short processing times and excellent static features. The system provides system solutions for inside and outside use, for both residential and commercial construction.

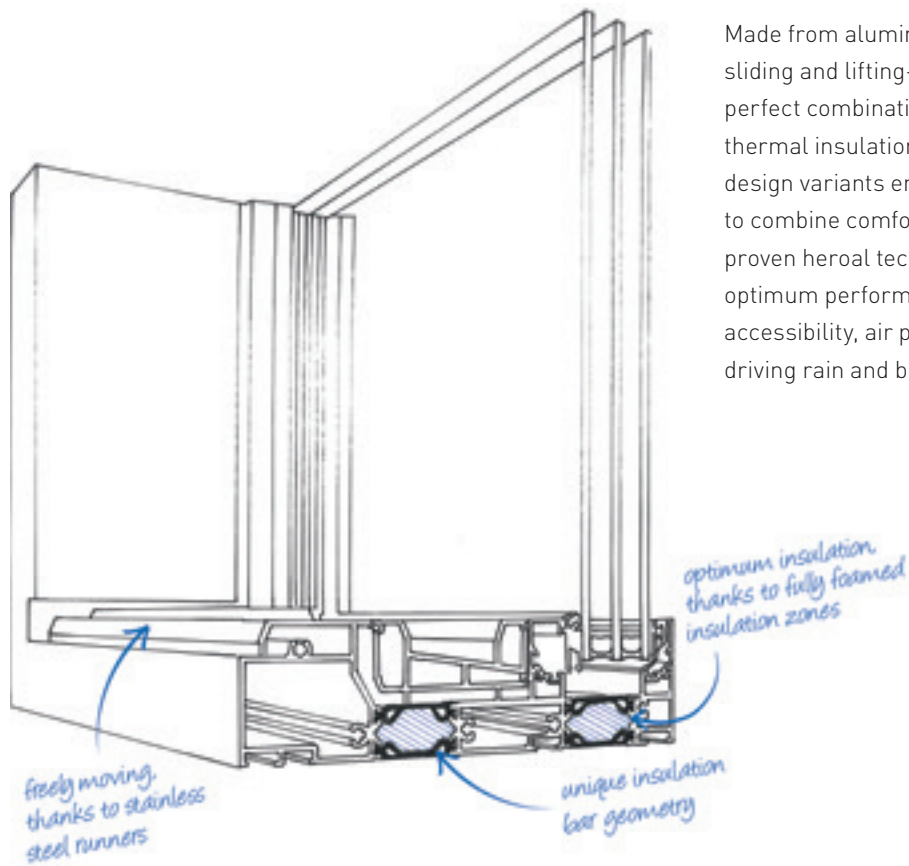


### Performance characteristics

 - Thermal insulation (U <sub>t</sub> in W/m <sup>2</sup> K)	 3 Air permeability	 2A Resistance to driving rain	 C3/B3 Wind resistance	 - Soundproofing class	 - Resistance to burglary	 5 Operating forces	 - Impact resistance	 C5 Continuous function
 EI <sub>30</sub> Fire resistance	 S <sub>200</sub> Smoke protection							

## heroal Sliding and Lifting-Sliding Systems

Highest quality – maximum efficiency



Made from aluminium, heroal aluminium sliding and lifting-sliding systems offer the perfect combination of transparency and thermal insulation. Different opening types and design variants enable planners and architects to combine comfort and functionality. The proven heroal technologies also ensure optimum performance with regard to accessibility, air permeability, tightness against driving rain and burglary resistance.

### Special features:

- » casement leaf height: up to 2,400 mm using additional static strengthening, extendible to 3,000 mm without additional testing and evaluation
- » casement weight: 300 kg, extendible to 400 kg with the use of tandem runners
- » burglary resistance: up to RC 2
- » casement corner solution 90°
- » fixed glazed all-glass corners

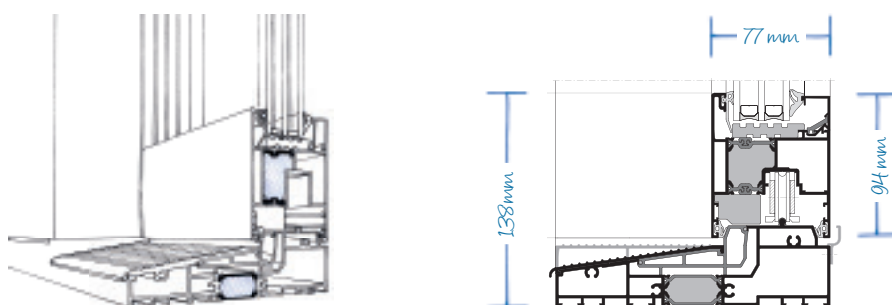


## heroyal S 77

The versatile aluminium lift and slide system

heroyal S 77 is a modular profile system with a modern design that fulfils the strictest structural requirements. It offers a wide range of profile face widths, is compatible with other heroyal systems and comes with an almost unlimited selection of surfaces.

**System variants:** heroyal S 77 HI – the highly insulated aluminium lift and slide system



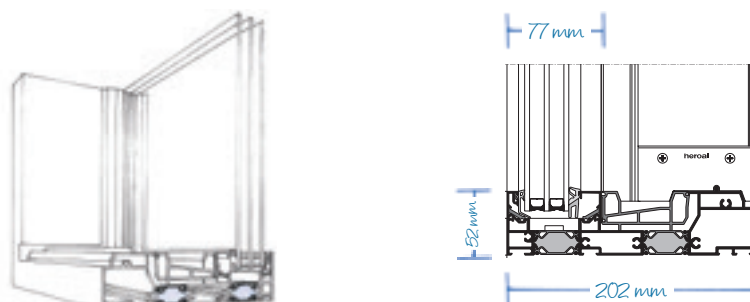
### Performance characteristics

2.1 Thermal insulation (U <sub>t</sub> in W/m <sup>2</sup> K)	4 Air permeability	9A Resistance to driving rain	C3/B3 Wind resistance	3 Soundproofing class	RC2 Resistance to burglary	1 Operating forces	- Impact resistance	- Continuous function
--	-----------------------	----------------------------------	--------------------------	--------------------------	-------------------------------	-----------------------	------------------------	--------------------------

## heroyal S 77 SL

Perfect combination of transparency and heat insulation

heroyal S 77 SL opens up new large dimensions and guarantees maximum transparency with its unique innovative frame construction. The new generation of heroyal lifting-sliding doors combines a movable monorail casement with fixed frame glazing and minimal view widths.



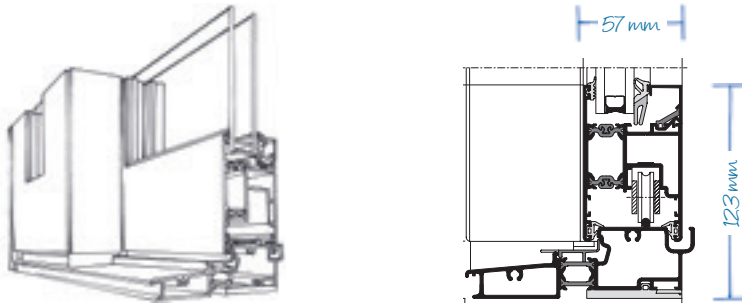
### Performance characteristics

2.1 Thermal insulation (U <sub>t</sub> in W/m <sup>2</sup> K)	4 Air permeability	9A Resistance to driving rain	C3/B3 Wind resistance	3 Soundproofing class	RC2 Resistance to burglary	1 Operating forces	- Impact resistance	- Continuous function
--	-----------------------	----------------------------------	--------------------------	--------------------------	-------------------------------	-----------------------	------------------------	--------------------------

## heroal S 57

Economical system solution for lifting-sliding door systems

The heroal S 57 door system offers technically and visually sophisticated solutions for lifting-sliding doors systems with casement formats weighing up to 250 kg. The very narrow view widths of the 2- or 3-track systems with up to 6 moving casements allow for the maximum incidence of light. The thermally insulated construction is economical to produce and is just as suited to building private residential property as it is for commercial construction projects.



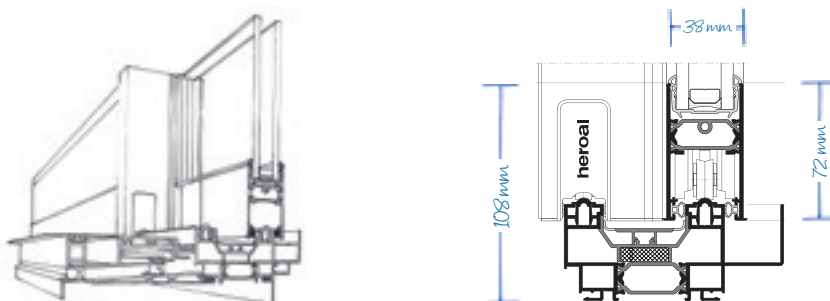
### Performance characteristics

3.2 Thermal insulation (U <sub>t</sub> in W/m <sup>2</sup> K)	4 Air permeability	5A Resistance to driving rain	C3/B3 Wind resistance	- Soundproofing class	RC2 Resistance to burglary	F ↓ 1 Operating forces	- Impact resistance	- Continuous function
--	-----------------------	----------------------------------	--------------------------	--------------------------	-------------------------------	---------------------------	------------------------	--------------------------

## heroal S 42

Efficient and functional

The heroal S 42 sliding system is characterised by top quality combined with maximum efficiency with regard to energy and cost. A slim appearance, accessibility and comfort are just some of the performance features of the heroal S 42 sliding system. These features guarantee flexible installation as sliding windows or French doors in industrial and residential construction.



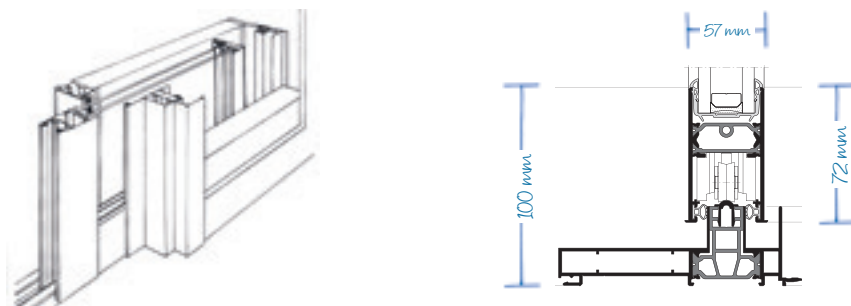
### Performance characteristics

1.3 Thermal insulation (U <sub>t</sub> in W/m <sup>2</sup> K)	4 Air permeability	8A Resistance to driving rain	C1/B2 Wind resistance	3 Soundproofing class	- Resistance to burglary	F ↓ - Operating forces	- Impact resistance	- Continuous function
--	-----------------------	----------------------------------	--------------------------	--------------------------	-----------------------------	---------------------------	------------------------	--------------------------

# heroal S 42 HF

Transparent and frame-free

heroal S 42 HF opens up new large dimensions and guarantees maximum transparency with its unique innovative frame construction integrated into the masonry. The sliding casements completely disappear into a double-insulated pocket in the wall, creating a unique spatial experience.



## Performance characteristics

1.3 Thermal insulation (U <sub>t</sub> in W/m <sup>2</sup> K)	4 Air permeability	8A Resistance to driving rain	C1/B2 Wind resistance	3 Soundproofing class	- Resistance to burglary	- Operating forces	- Impact resistance	- Continuous function
--	-----------------------	----------------------------------	--------------------------	--------------------------	-----------------------------	-----------------------	------------------------	--------------------------

## System comparison

Description	heroal S 77	heroal S 77 SL	heroal S 57	heroal S 42	heroal S 42 HF	heroal S 77 HI
Thermal insulation U <sub>t</sub> [W/m <sup>2</sup> K]	≥ 2.9	≥ 2.1	≥ 3.2	-	1.3	≥ 2.1
Heat insulation [U <sub>w</sub> in W/m <sup>2</sup> K]	≥ 1.2	≥ 0.82	≥ 1.3	≥ 1.4	≥ 1.2	≥ 1.0
Air permeability	4	4	4	4	4	4
Resistance to driving rain	9A	9A	5A	6A	8A	9A
Wind resistance	C3/B3	C3/B3	C3/B3	B2	C1/B2	C3/B3
Soundproofing class (SK)	1-3	3	-	1-2	3	1-3
Resistance to burglary	RC 2	RC 2	WK 2	-	-	RC 2
Operating forces	-	-	-	-	-	-
Impact resistance	-	-	-	-	-	-
Continuous function	-	-	-	-	-	-



## Supplementary Product Solutions

Functional and versatile in application



### heroyal detailed solution

#### 90-degree corner version

Even in the joint area there is no disturbing element frame that restricts the view. The 90° frame coupling with all-glass corner meets the increasing demand for more transparency in architecture.



### heroyal DS integrated surface drainage system

The heroyal DS drainage system guarantees planning reliability, a variety of combinations and system solutions for all trades, as it drains off surface water with barrier-free thresholds (according to DIN 18040-1 and DIN 18040-2).



### heroyal SF Drive

The heroyal SF Drive system, which is completely integrated in the door profiles, enables particularly convenient and almost noiseless operation of lifting-sliding doors at the push of a button – and, if required, can also be operated via remote control or smartphone app.



*Building  
video*





## Music School Monheim

Monheim, Germany

### Used heroal systems and services

- » heroal W 72 window system
- » heroal C 50 HI curtain wall system
- » heroal D 72 door system
- » support in the calculation
- » support in production from heroal application technicians



*functional  
versatility*



## SiSi Works GmbH

Eppelheim, Germany

### Used heroal systems and services

- » heroal W 72 window system
- » heroal C 50 curtain wall system
- » heroal bending service for curved elements

*innovative  
concept*







## Office building in Bremen

Bremen, Germany

### Used heroal systems

- » heroal W 72 window system
- » heroal D 82 FP fire door









## PBD Victoria

Bratislava, Slovakia

Used heroal system

» heroal W 72 window system





## Bonaparte

Bratislava, Slovakia

### Used heroal systems

- » heroal W 72 window system
- » heroal S 77 lifting-sliding system



*contemporary  
design*



## Arborea Marina Resort

Neustadt, Germany

### Used heroal systems

- » heroal C 50 curtain wall system
- » heroal D 72 door system
- » heroal W 72 window system
- » heroal S 77 lifting-sliding system

*Visual accents*







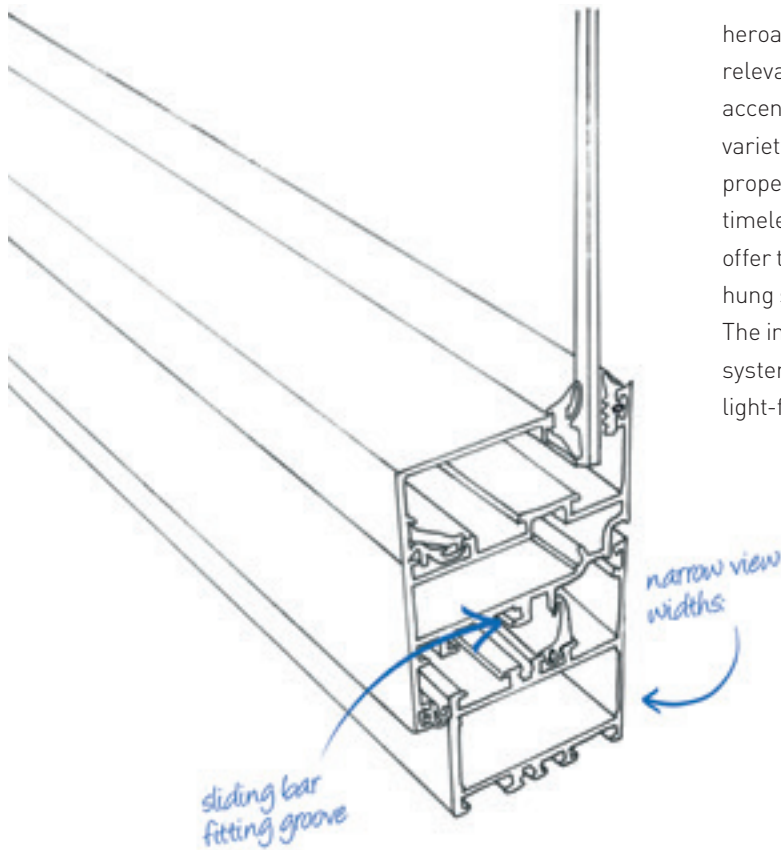




Unisolated Profile  
Systems with Standard  
heroyal System Profiles

## Unisolated Systems

Set accents



heroal window and door systems are not only relevant for the building shell. They can also set accents in the interior and contribute to design variety and functionality with their outstanding properties. Wherever technical perfection with a timeless look is needed, heroal profile systems offer the right solution – as partitions, double hung sashes or smoke protection systems. The innovative character of these high-quality systems makes it easy to implement modern, light-flooded room concepts.

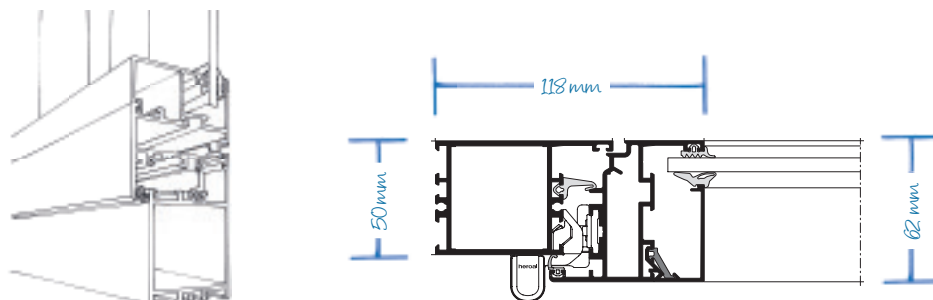
**Special features:**

- » window casement heights up to 2.8 m
- » one- and two-casement smoke protection doors with door casement heights of up to 3 m










## heroyal W 50 C

Economical dividing wall systems in indoor areas

heroyal W 50 C is a universal profile system for dividing elements and wall systems, particularly in indoor areas. It is characterised by narrow view widths and can be used as either a flush window or fixed glazing.



### Performance characteristics

 -	 4	 7A	 C2/B2	 -	 -	 1	 -	 -
Thermal insulation (U, in W/m²K)	Air permeability	Resistance to driving rain	Wind resistance	Soundproofing class	Resistance to burglary	Operating forces	Impact resistance	Continuous function







## heroyal S 50 C

System solutions for non-insulated sliding elements

heroyal S 50 C is an attractive solution for sliding elements and doors, particularly in indoor areas. 2 and 3-track sliding elements with up to 6 moveable casements are possible in narrow view widths.



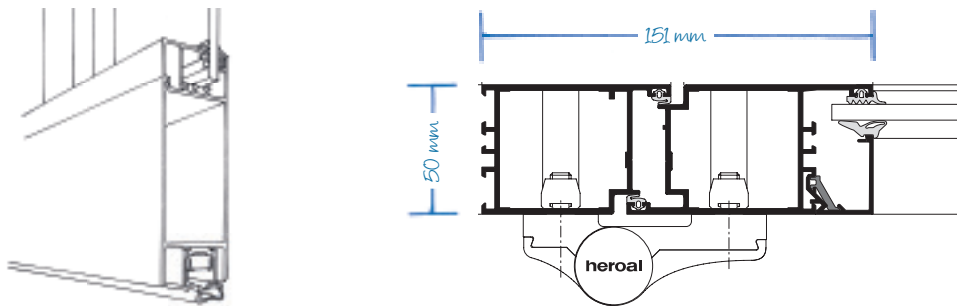
### Performance characteristics

 -	 4	 5A	 C1/B2	 -	 -	 1	 -	 -
Thermal insulation (U, in W/m²K)	Air permeability	Resistance to driving rain	Wind resistance	Soundproofing class	Resistance to burglary	Operating forces	Impact resistance	Continuous function

## heroal D 50 C

Efficient solutions for door and dividing elements for indoor use

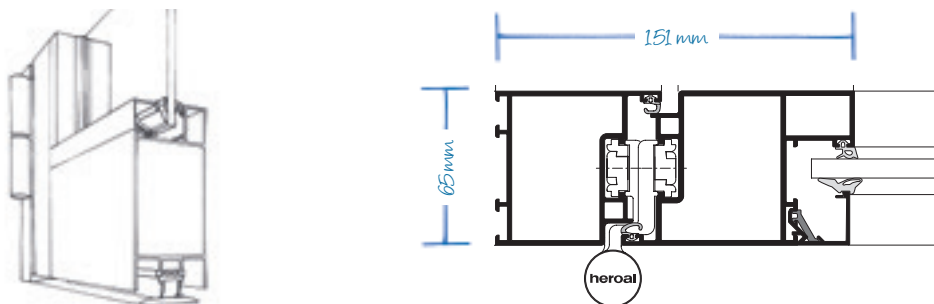
heroal D 50 C enables a variety of opening types for attractive, highly functional door and dividing elements and dividing wall systems, particularly in indoor areas. Wide range of designs provided by variable, flush exterior views.



## heroal D 65 C SP

Door system solution for heavily used passageways with smoke protection required

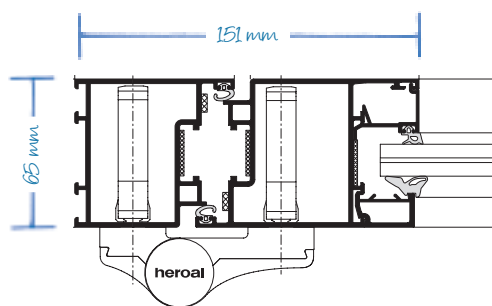
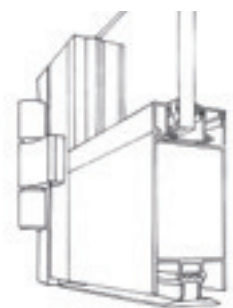
There are various different ways of combining smoke protection elements in indoor areas: with the heroal D 65 C SP profile system, it is possible to install single- and double-casement smoke control doors that have been tested to DIN 18095 RS 1/RS 2 and EN 1634-3 standards. Central glazing or an automatic hinged door drive system for smoke control doors are also available as an option.



## heroal D 65 C FP

System solutions for E30/EW30 fire doors and fire-resistant glazing

The heroal D 65 C FP profile system's single- and double-casement fire doors, which have been tested to EN 1364-1 and 1634-1 standard and approved in accordance with the national classification report, offer various design options including side sections and transom windows.



## Schröder Car Dealership

Verl, Germany

### Used heroal systems

- » heroal W 50 C partition wall system for indoor use
- » heroal D 72 door system
- » heroal C 50 curtain wall system

*innovative  
concept*









## Glück Auf Indoor Swimming Pool Zwickau, Germany

### Used heroal systems

- » heroal W 72 window system
- » heroal D 72 door system
- » heroal D 65 C SP smoke control door
- » heroal C 50 HI curtain wall system



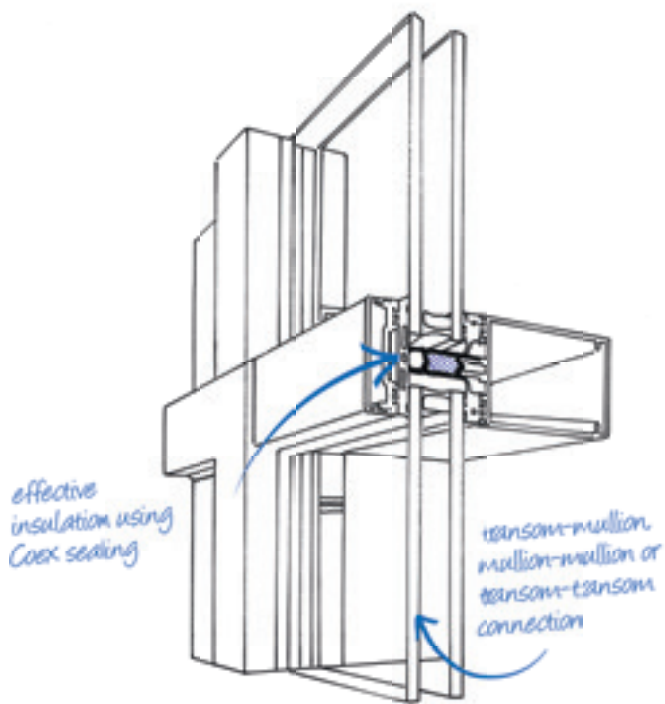


# Curtain Wall Solutions with Standard heroyal System Profiles



## heroal Curtain Wall Solutions

Optimal solutions for every requirement



Curtain wall systems offer architects great scope for designing modern building concepts. heroal curtain wall systems meet the increasing demands for energy efficiency without restricting design freedom. We offer system solutions with different focal points, from Passive House-certified curtain walls to design-oriented industrial variants and fire protection curtain walls. The manifold application possibilities of heroal facade systems are extended by different application elements.

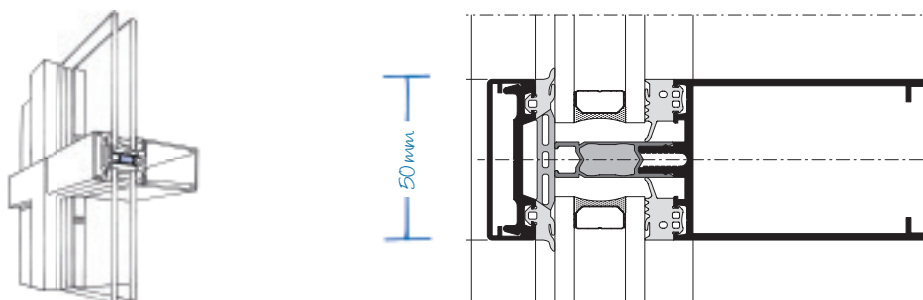
### Special features:

- » Passive House-certified curtain wall system with 50-mm view width
- » transom tensioning system, with spans of up to 5m can be achieved with a view width of only 50 mm
- » insert elements from window, door and sliding door series possible
- » high glass loads (up to 800 kg) possible in the curtain wall system
- » combination with the heroal VS Z zip-screen system possible
- » the heroal C 50 FP fire protection curtain wall has the same appearance as the standard heroal C 50 curtain wall, which creates an invisible transition to the curtain wall area without protection requirements










## heroal C 50

The system for a wide variety of façade solutions

All designs of the tried-and-tested insulated heroal C 50 curtain wall system deliver excellent results, whether vertical or vertical-bending transom-mullion, transom-transom or mullion-mullion façade. The façade can also be used as a roof area, light roof pyramid or conservatory. Last but not least, the system offers creative freedom thanks to various cover and pressure profiles.



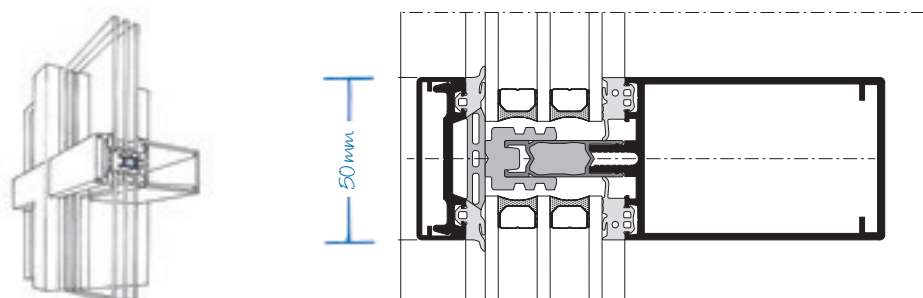
### Performance characteristics

 $\geq 1.2$	 AE	 RE 120	 2 kN/m <sup>2</sup> 3 kN/m <sup>2</sup>	 Up to 46 dB	 RC3	 F -	 I5/E5	 -
Thermal insulation (U <sub>i</sub> in W/m <sup>2</sup> K)	Air permeability	Resistance to driving rain	Wind resistance	Soundproofing class	Resistance to burglary	Operating forces	Impact resistance	Continuous function










## heroal C 50 HI

The highly insulated curtain wall system

The heroal C 50 HI curtain wall system achieves the standard required for a passive house with standard triple-glazed insulating glass. This enables sustainable façade concepts with outstanding energy efficiency. Special details in the construction of the system ensure quick, reliable and economical assembly.



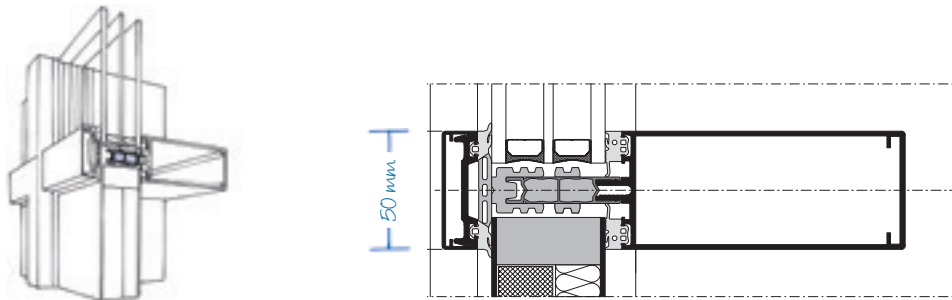
### Performance characteristics

 $\geq 0.78$	 AE	 RE 1200	 2 kN/m <sup>2</sup> 3 kN/m <sup>2</sup>	 Up to 49 dB	 RC2	 F -	 I5/E5	 -
Thermal insulation (U <sub>i</sub> in W/m <sup>2</sup> K)	Air permeability	Resistance to driving rain	Wind resistance	Soundproofing class	Resistance to burglary	Operating forces	Impact resistance	Continuous function


## heroal C 50 PH

The curtain wall system certified for passive houses

heroal C 50 PH is the logical and systematic development of the already highly insulated heroal C 50 HI curtain wall system, with which minimum  $U_f$  values of  $0.78 \text{ W/m}^2\text{K}$  can be achieved in the transom-mullion design. The system is passive-house-certified thanks to the appropriate façade panel and glazing.



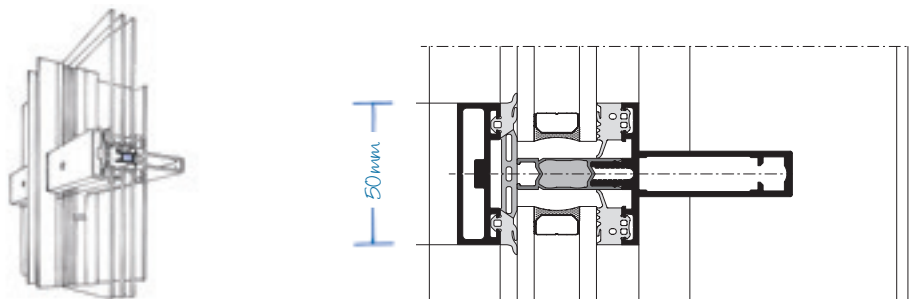
### Performance characteristics

 $\geq 0.78$	 AE	 RE 1200	 $2 \text{ kN/m}^2$ $3 \text{ kN/m}^2$	 -	 -	 F -	 I5/E5	 -
Thermal insulation ( $U_f$ in $\text{W/m}^2\text{K}$ )	Air permeability	Resistance to driving rain	Wind resistance	Soundproofing class	Resistance to burglary	Operating forces	Impact resistance	Continuous function










## heroal C 50 ID

The design-oriented curtain wall system with steel effect

The heroal C 50 ID curtain wall system stands for creative façade design that can provide industrial design solutions. It enables planners, architects and processors to satisfy the highest of demands. The innovative concept for heat insulation with foam-filled insulators and adapted insulator damping, and the continuous seal are standard in the industrial design options.



### Performance characteristics

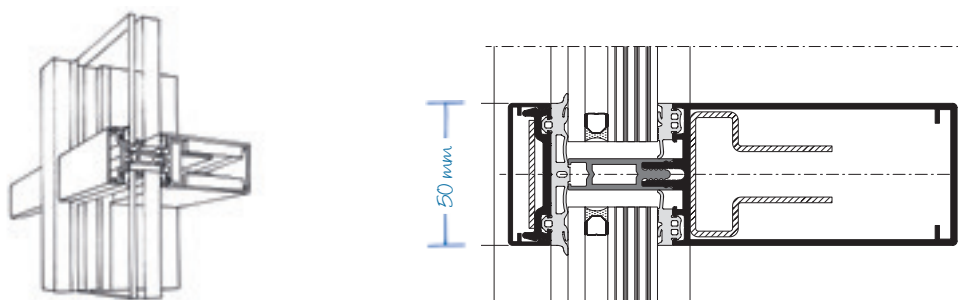
 $\geq 0.78$	 AE	 RE 1200	 $2 \text{ kN/m}^2$ $3 \text{ kN/m}^2$	 Up to 49 dB	 RC3	 F -	 I5/E5	 -
Thermal insulation ( $U_f$ in $\text{W/m}^2\text{K}$ )	Air permeability	Resistance to driving rain	Wind resistance	Soundproofing class	Resistance to burglary	Operating forces	Impact resistance	Continuous function



## heroal C 50 FP

The system solution for fire protection façades

The heroal C 50 FP fire protection curtain wall system requires a CE marking and has been tested in accordance with the EN 13501-2 standard as a curtain wall by the ift Rosenheim testing institute. All fire protection components are concealed within the construction, enabling an invisible transition to façade areas without protective requirements.



### Performance characteristics

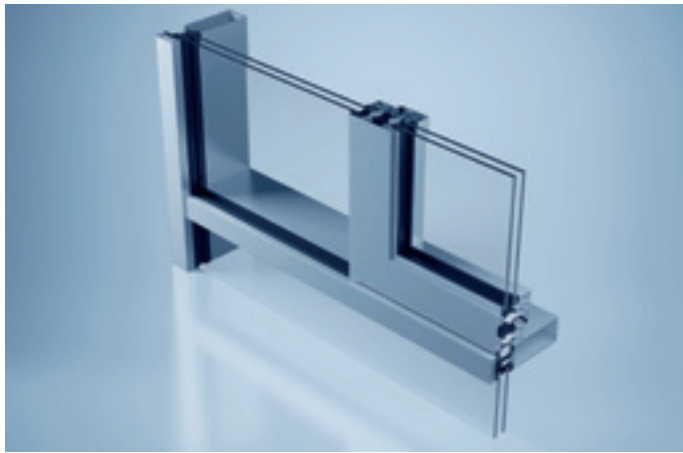
1.6 2.2 Thermal insulation (U <sub>i</sub> in W/m <sup>2</sup> K)	AE	RE 1050	2 kN/m <sup>2</sup> 3 kN/m <sup>2</sup>	-	-	F -	I5/E5	-
EI30	-							
Fire resistance	Smoke protection							

## System comparison

Description	heroal C 50	heroal C 50 HI	heroal C 50 PH	heroal C 50 ID	heroal C 50 FP
Thermal insulation U <sub>i</sub> [W/m <sup>2</sup> K]	1.2–1.7	0.78–1.4	> 0.78	0.78–1.7	1.6–2.2
Air permeability	AE*	AE*	AE*	AE*	AE
Resistance to driving rain	RE 1050	RE 1200	RE 1200	RE 1200	RE 1050
Wind resistance					
perm. load	Requirement met	2 kN/m <sup>2</sup>	2 kN/m <sup>2</sup>	2 kN/m <sup>2</sup>	2 kN/m <sup>2</sup>
uplift load	Requirement met	3 kN/m <sup>2</sup>	3 kN/m <sup>2</sup>	3 kN/m <sup>2</sup>	3 kN/m <sup>2</sup>
Soundproofing class (SK)	46 db	49 db	-	49 db	-
Resistance to burglary	RC 3	-	-	-	-
Operating forces	-	-	-	-	-
Impact resistance	I5/E5	I5/E5	I5/E5	I5/E5	I5/E5
Continuous function	-	-	-	-	-
Fire resistance	-	-	-	-	EI30
Smoke protection	-	-	-	-	-

## Supplementary Product Solutions

Functional and versatile in application



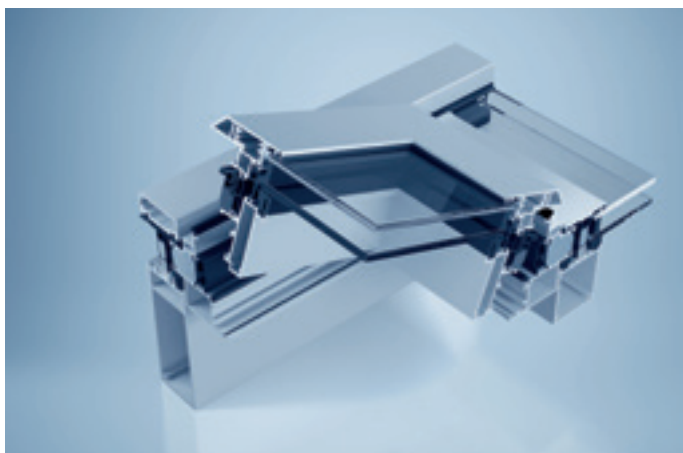
### **Floating window – elegant solution in curtain wall constructions**

The fusion of the curtain wallsprofiles with the special frames of the window systems gives the impression of a window floating elegantly in the curtain wall construction. This solution is available for the heroal W 72 and heroal W 72 i window systems.



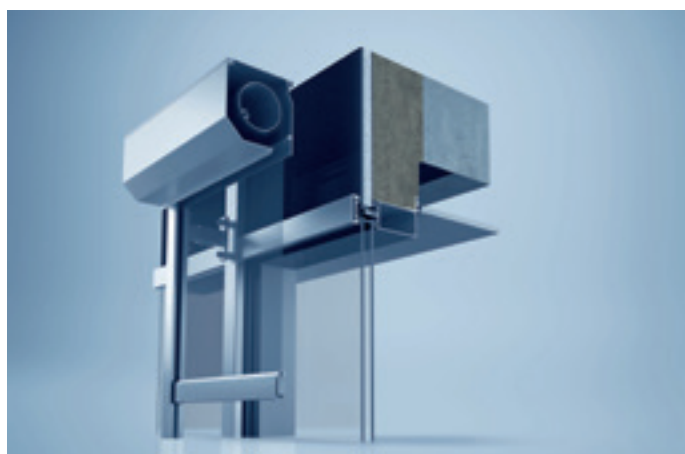
### **Fire protection curtain wall heroal C 50 FP**

Has the same appearance as the heroal C 50 curtain wall system, as the same profiles are used. This creates an invisible transition to curtain wall areas without protection requirements.

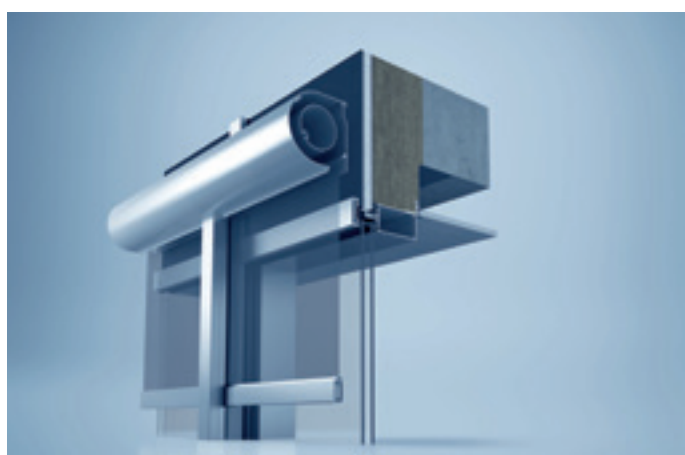


### **Special solution for roofs**

The curtain wall systems can also be used as roof solutions. Matching heroal skylights are available.



*Prefixed sun protection*



*Partially integrated sun protection*



*Fully integrated sun protection*

**heroal VS Z sun protection system**

The versatile heroal VS Z is an innovative and energy-efficient zip-screen system. Depending on the type of fabric, translucent or opaque sun protection can be created that significantly reduces the amount of solar radiation up to 75% with no great loss of daylight.

In combination with the heroal C 50 curtain wall system, the heroal VS Z sun protection is available in three variants: fully integrated, partially integrated or prefixed.



*Building  
video*



## Sportresidenz Zillertal

Uderns, Austria

### Used heroal systems

- » heroal C 50 curtain wall system
- » heroal W 72 window system
- » heroal S 77 SL lifting-sliding system
- » heroal C 50 FP fire protection curtain wall system
- » heroal D 72 door system
- » heroal D 65 door system
- » heroal D 82 FP fire door



## Vogler GmbH

Lüdenscheid, Germany

### Used heroal systems

- » heroal W 72 window system
- » heroal C 50 HI curtain wall system

*numerous  
design options*









## Folkwang Library

Essen, Germany

### Used heroal system

» heroal C 50 curtain wall system



## Quax Hangar Airport

Büren, Germany

### Used heroal systems

- » heroal W 72 window system
- » heroal D 72 door system
- » heroal C 50 HI curtain wall system

*innovative  
and modern*









## Erich-Kästner Secondary School

Brühl, Germany

### Used heroal systems

- » heroal W 72 window system
- » heroal D 72 door system
- » heroal C 50 curtain wall system



# Kindergarten

Verl, Germany

## Used heroal systems

- » heroal S 77 SL lifting-sliding system
- » heroal W 72 window system
- » heroal D 72 door system
- » heroal C 50 curtain wall system
- » heroal VS Z sun protection system
- » heroal IS insect protection system







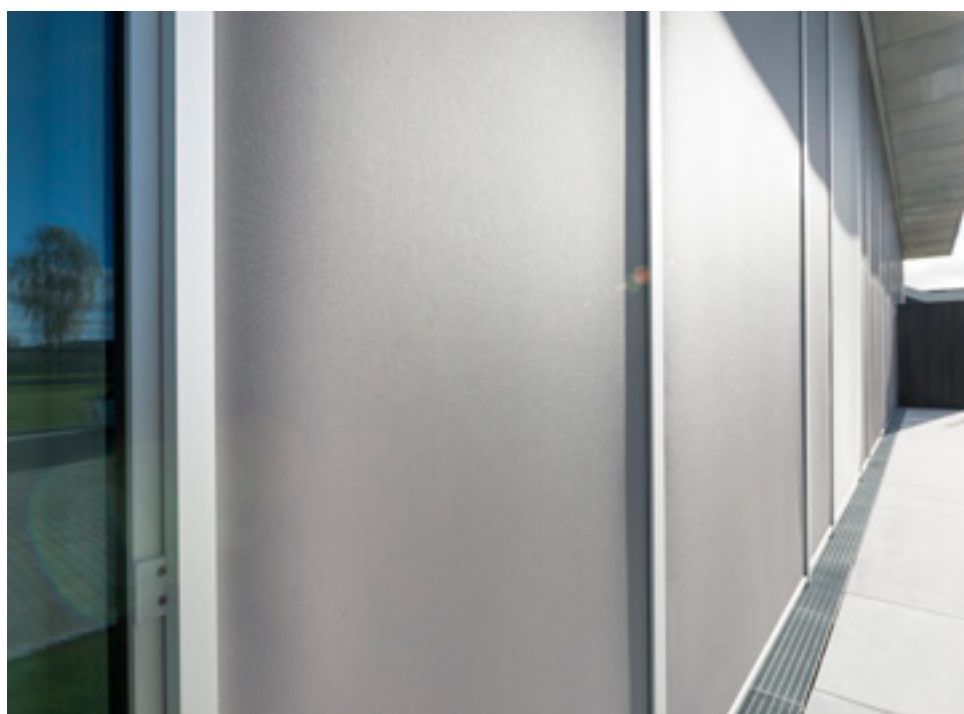


## AC Hydraulic A/S

Viborg, Denmark

### Used heroal systems

» heroal VS Z sun protection system



# Standard heroyal Systems with Building- Specific Testing





FINANZAMT

## heroal Test Centre

Tests for your building

### Tailor-made:

#### Special solutions for building construction

Unique building construction requires tailor-made solutions – and an experienced partner when it comes to the implementation. heroal offers you building-specific special solutions, tailored to your requirements. Benefit from our many years of experience in implementation and our expertise in the areas of roller shutters, sun protection and roller doors, as well as windows, doors and curtain walls.

### For heroal, special tests are no special case

Special solutions require special tests – but with solutions from heroal these are not necessary in many cases. Thanks to our years of experience, we can draw on many tests and therefore often issue special approvals without having to carry out a special test. The advantages for planners, fabricators and builders:

- » time savings: Elimination of special tests, as many tests have already been carried out
- » heroal takes over the complete handling of the building-specific certification in the case of a special inspection
- » the fabricator can CE-mark their element as usual on the basis of our approvals
- » tests can be carried out in our own test centre (ift Rosenheim certified test stand) or by accredited external test institutes



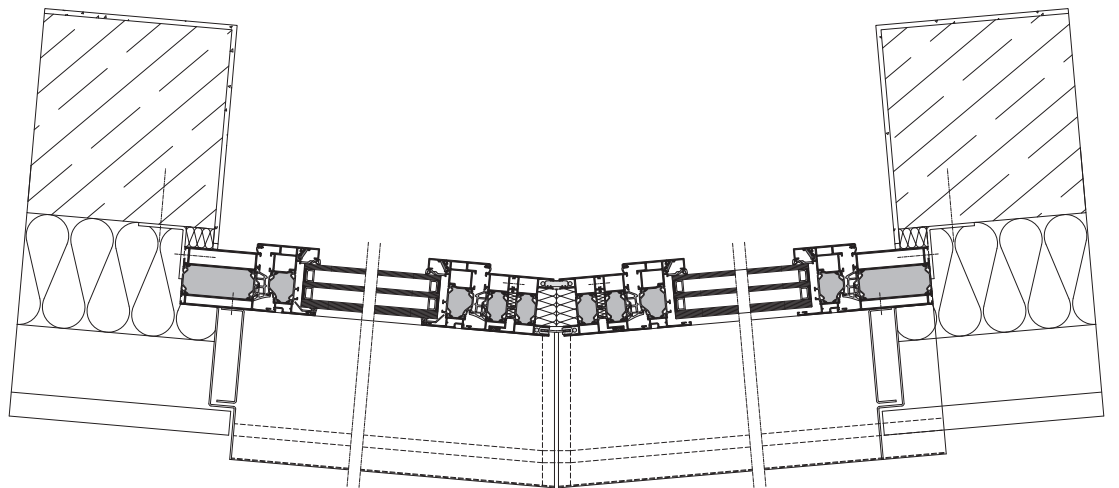
The following tests can be carried out in our own test centre:

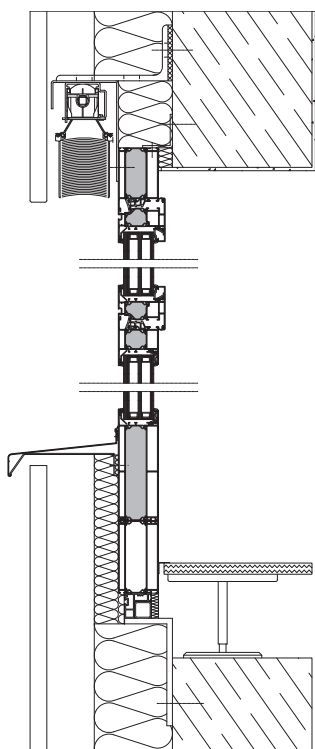
-  Differential climate/climate
-  Air permeability
-  Resistance to driving rain
-  Wind resistance
-  Mechanical resistance
-  Operating forces
-  Impact resistance

For all other areas, we cooperate with renowned and accredited testing institutes. We have the following tests carried out here, for example:

-  Thermal insulation
-  Fire resistance
-  Soundproofing class
-  Resistance to burglary
-  Load-bearing capacity of safety equipment
-  Ability to release







## Airport Office Düsseldorf

Düsseldorf, Germany

### Used heroyal systems and services

- » heroyal W 72 window system
- » heroyal D 72 door system
- » heroyal C 50 HI curtain wall system
- » building-specific test
- » support in the calculation and elaboration of structural attachments
- » preparation of sound proofing evaluations



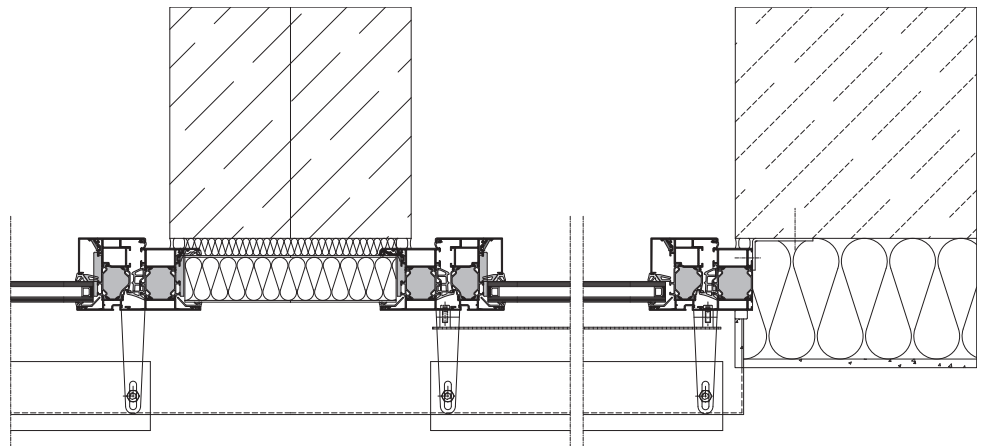
## Tax Office

Leverkusen, Germany

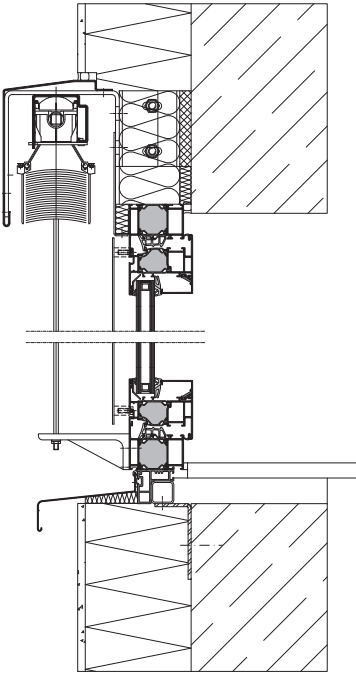
### Used heroal system and service

- » heroal W 72 window system
- » building-specific test

*innovative and sustainable*











## Hofgarten Palais

Düsseldorf, Germany

### Used heroal system and service

- » heroal W 72 window system
- » building-specific test



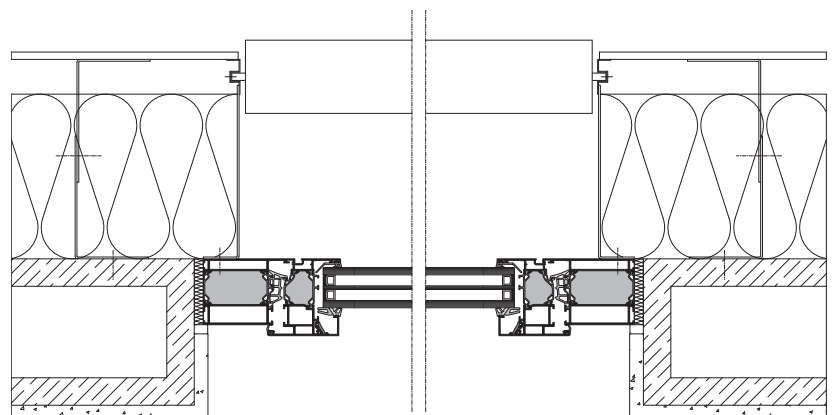
## Residence Garden Towers

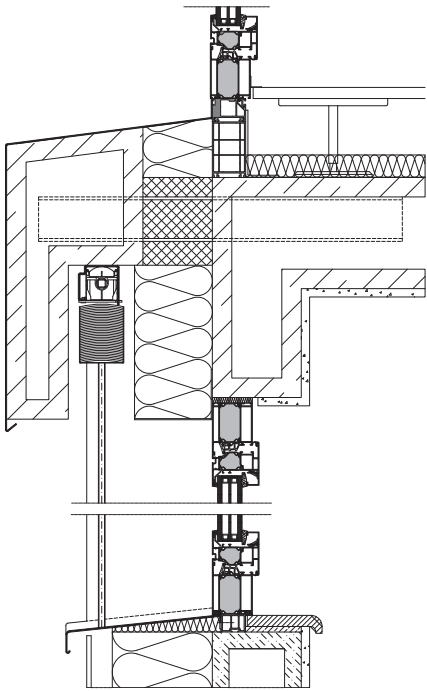
Prague, Czech Republic

### Used heroal systems and services

- » heroal W 72 window system
- » heroal D 72 door system
- » heroal S 77 lifting-sliding system
- » support in the calculation
- » support in production from heroal application technicians
- » building-specific test

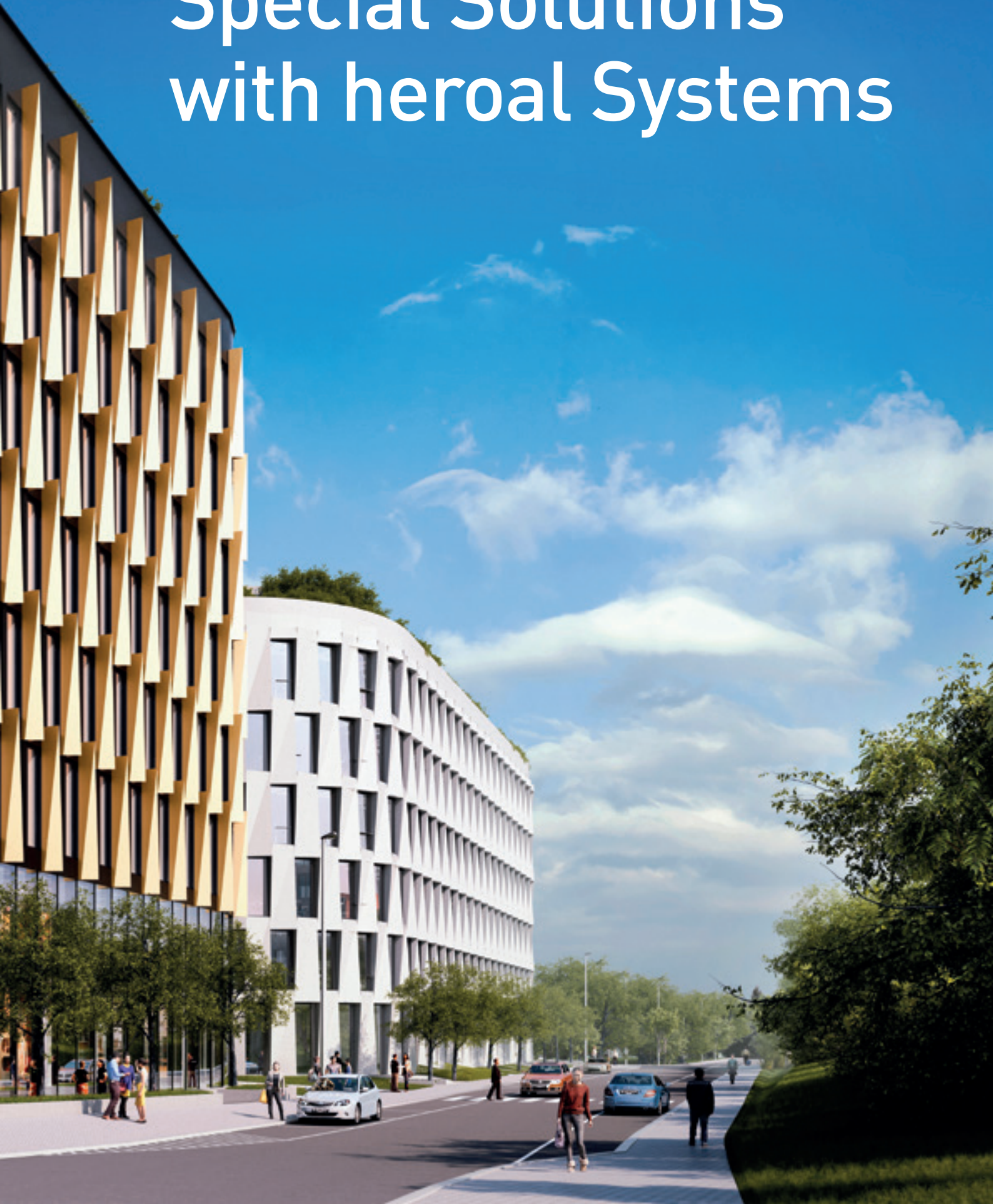
*innovative and sustainable*

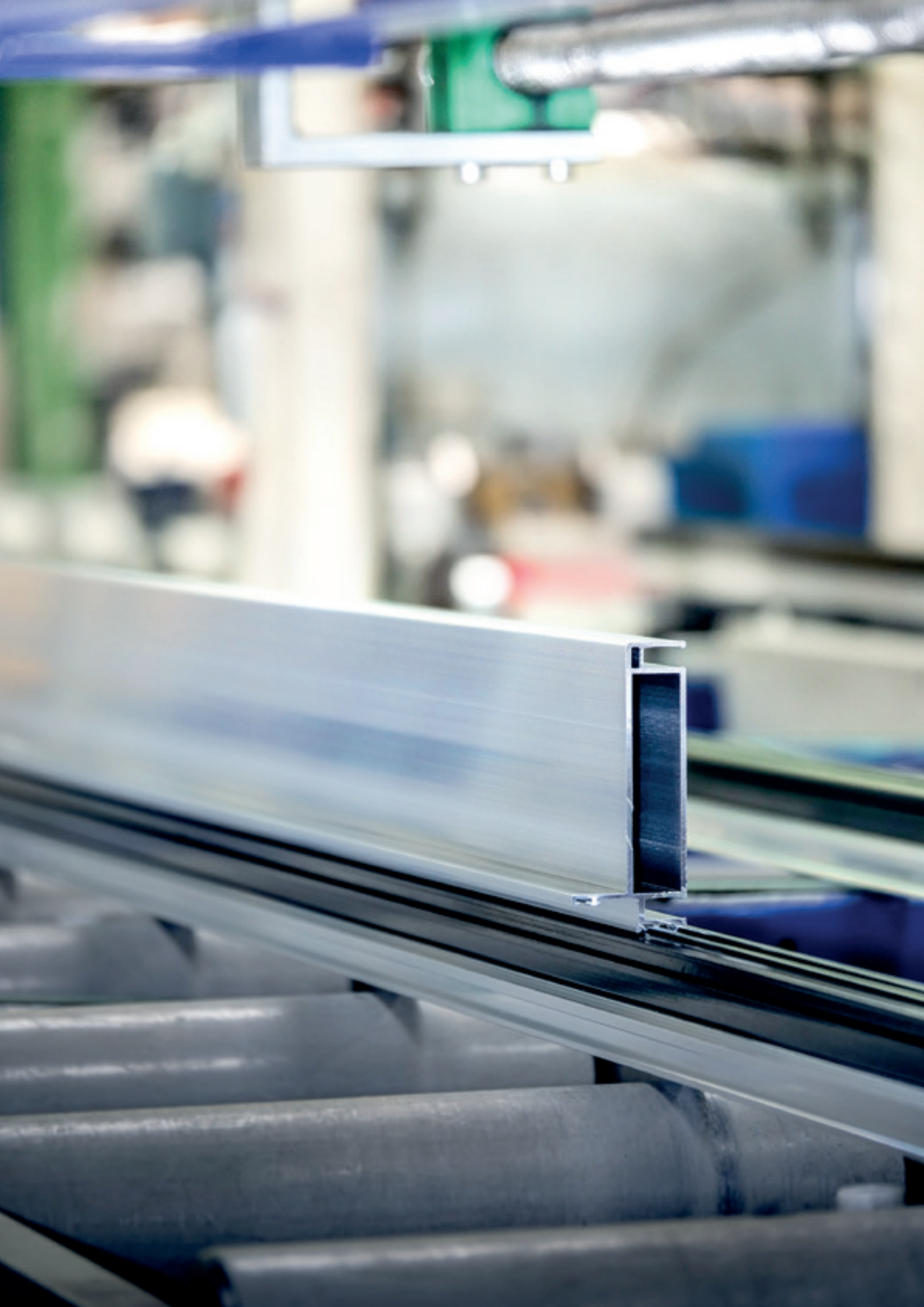






# Special Solutions with heroyal Systems







# Object Profiles

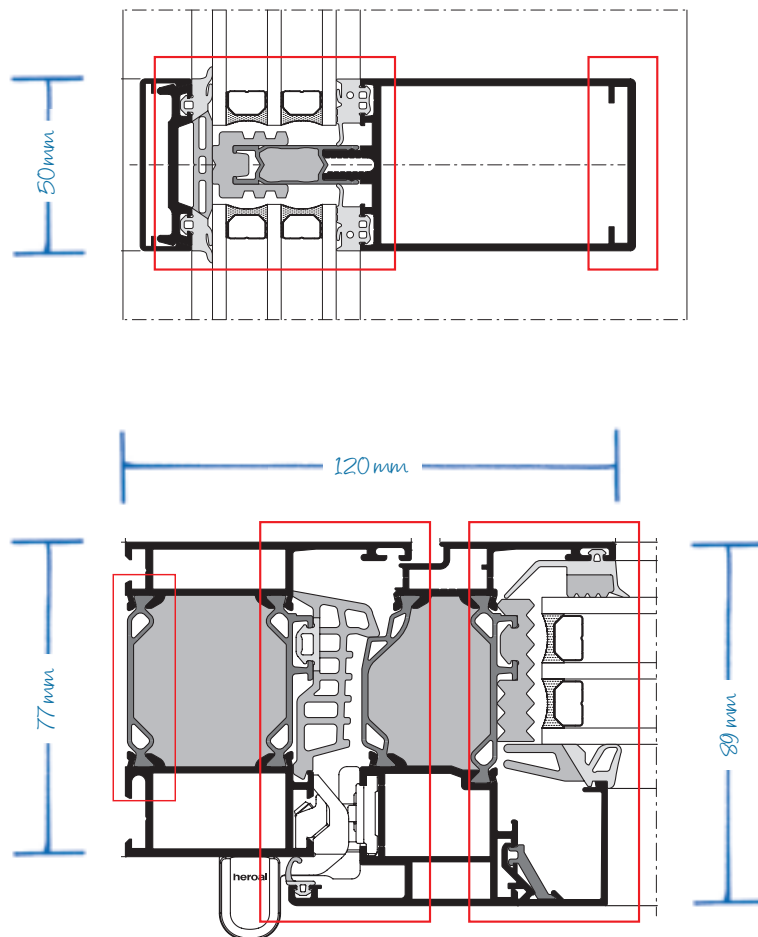
Variety of shapes for your building

## Specific building solutions from heroal

Customise the design, preserve the system properties: The design of the heroal systems can be adapted to exterior architectural requirements (aluminium half-shell, cover profiles etc.). The performance features of the standard solutions are retained, since the function level (red frame) remains unchanged.

### Object profiles are possible if:

- » the half-shells are present
- » a pressable quantity is available (> 500 kg)
- » there is a corresponding time window for the conversion (8-10 weeks only for profiles/without preparation time for special solutions)







## AFI Vokovice

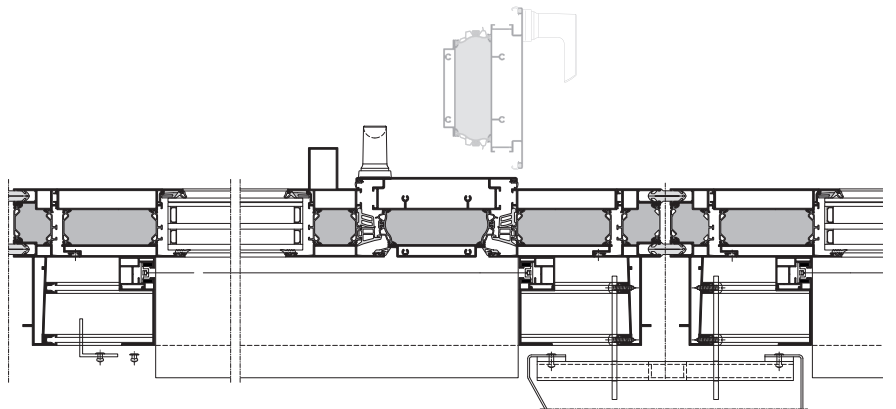
Prague, Czech Republic

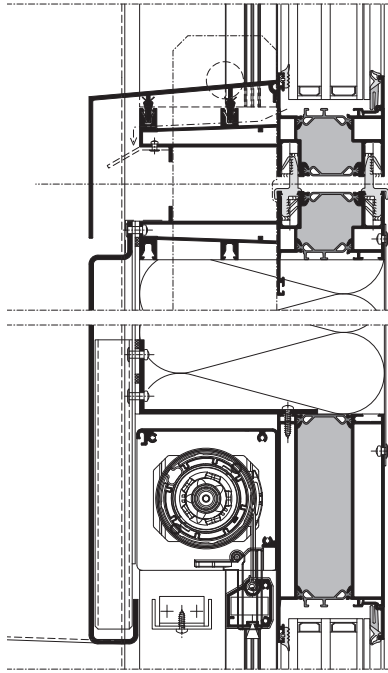
### Used heroal systems and services

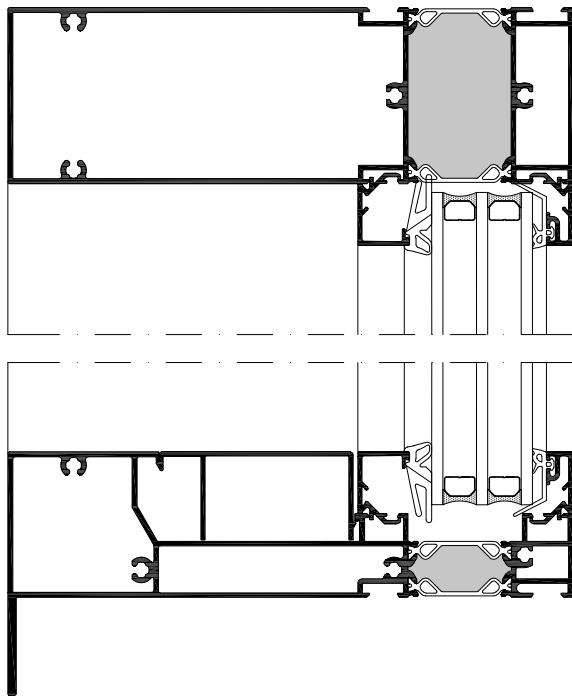
- » heroal W 72 window system
- » heroal W 72 VF ventilation dampers
- » heroal D 72 door system
- » heroal C 50 curtain wall system
- » heroal VS Z sun protection system
- » special construction element curtain wall
- » special profiles and special seals
- » special fittings
- » building-specific packaging sizes
- » building-specific certification with ift Rosenheim



*Building  
video*









## V Tower

Prague, Czech Republic

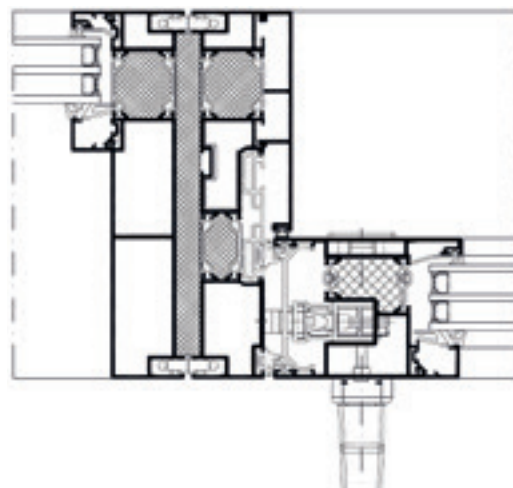
### Used heroal systems and services

- » heroal W 72 window system
- » heroal S 77 SL lifting-sliding system
- » preparation of object profiles
- » preparation of expanding frame construction
- » preparation of cross bar profiles
- » preparation/optimisation of installation and structural attachments
- » building-specific packaging sizes
- » preparation of insert frame construction in heroal S 77 SL
- » building-specific certification with ift Rosenheim

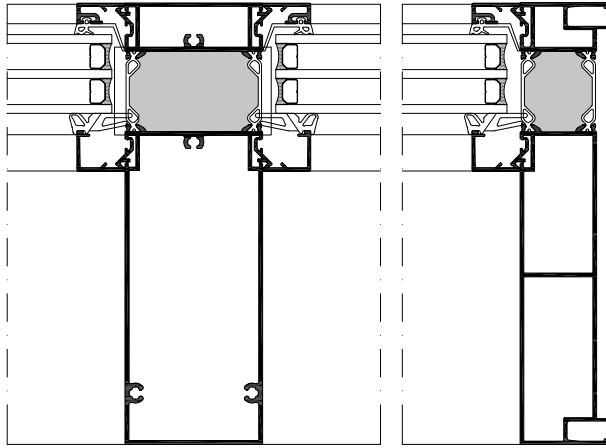


*Building  
video*

heroal







## Tour Elithis Danube

Strasbourg, France



### Used heroal systems

- » heroal W 72 window system
- » realisation with special profiles

*Building  
video*





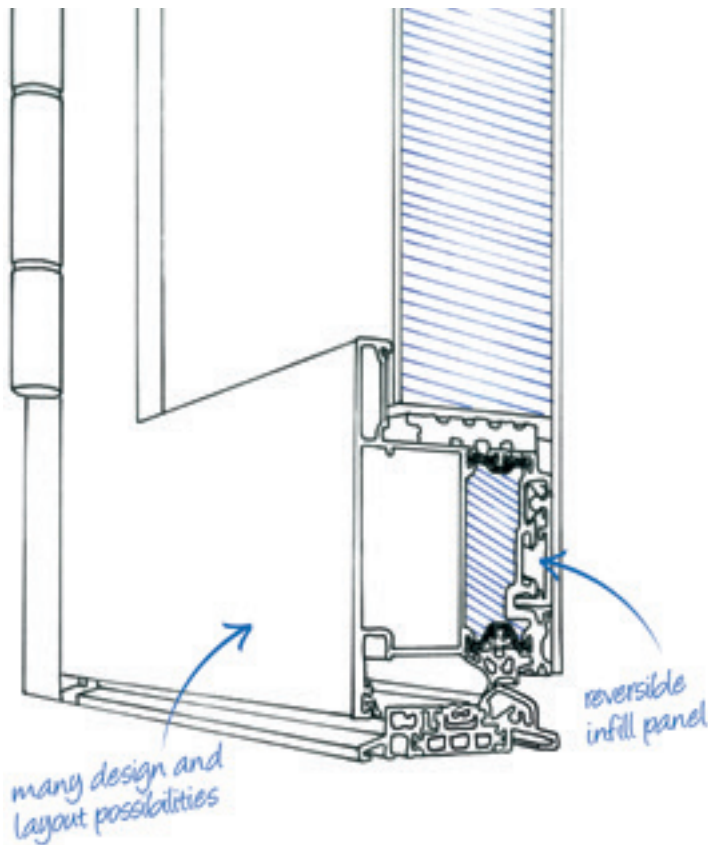


# Private Residential Construction



## heroal Front Door and Window Systems

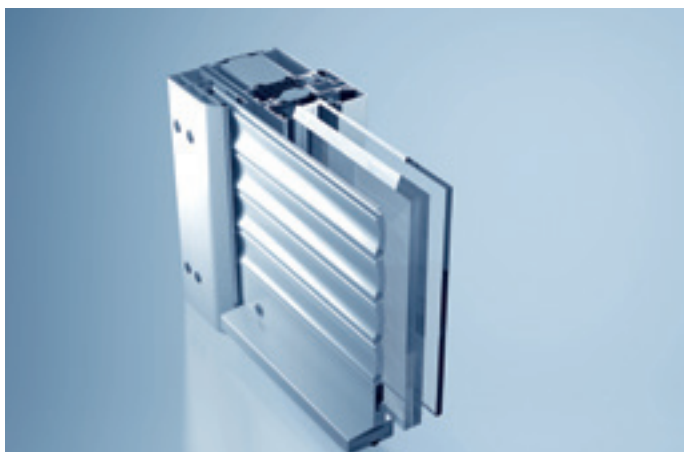
For more comfort, energy efficiency and safety



Our systems for private residential construction meet the increasing demands for comfort, energy efficiency and safety. We offer everything from a single source – from systems for windows, doors, roller shutters and roller shutters, to sun and insect protection. The wide range of products and many possible combinations of our systems provide high-quality solutions for almost every requirement.

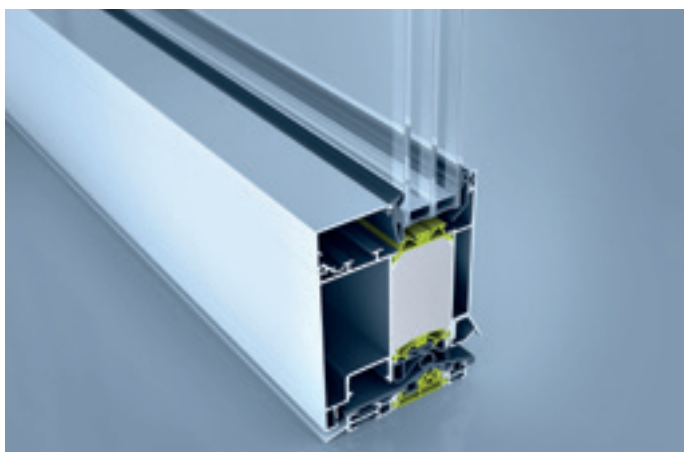
### Special features:

- » best thermal insulation properties up to Passive House-certified solutions
- » certified burglary protection up to resistance class RC 4
- » wide range of design variants, thanks to innovative and highly weather-resistant surface coating
- » high-quality, durable and easy-care aluminium solutions
- » effective soundproofing up to soundproofing class 5



### Window systems

heroal window systems already achieve certified burglary resistance RC 1 to RC 3 with standard profiles. In combination with the stainless-steel roller shutter heroal RS 37 RC 3, heroal window systems offer tested burglary resistance of RC 4.



### Front door systems

heroal D 72 and heroal D 92 UD front door systems combine high burglary resistance of up to RC 3 and many design variants, as well as the best thermal insulation values up to Passive House suitability.



### Front door infill panel

Single-sided and double-sided casement-covering infill panel with integrated handle in Les Couleurs® Le Corbusier colours. The reversible infill attachment simplifies and shortens installation, which is also possible at a later date on the construction site.

## heroal Sun Protection, Roller Shutter and Roller Door Systems

Many possible combinations



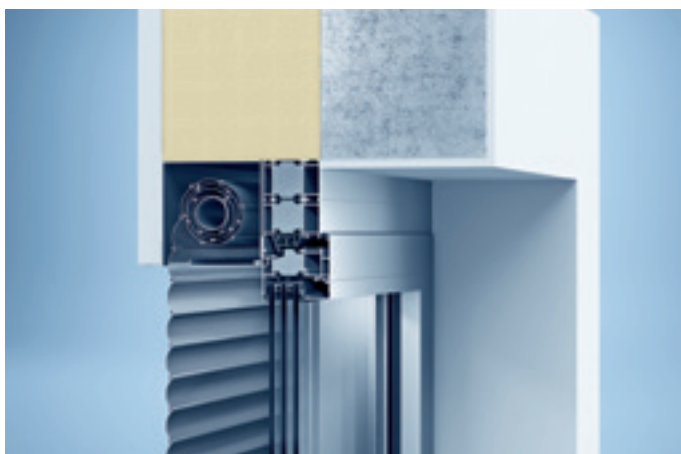
### heroal VS Z

Depending on the type of fabric, the heroal VS Z zip-screen system creates translucent or opaque sun protection that reduces solar radiation by up to 75% without having to dispense with natural daylight.



### heroal LC

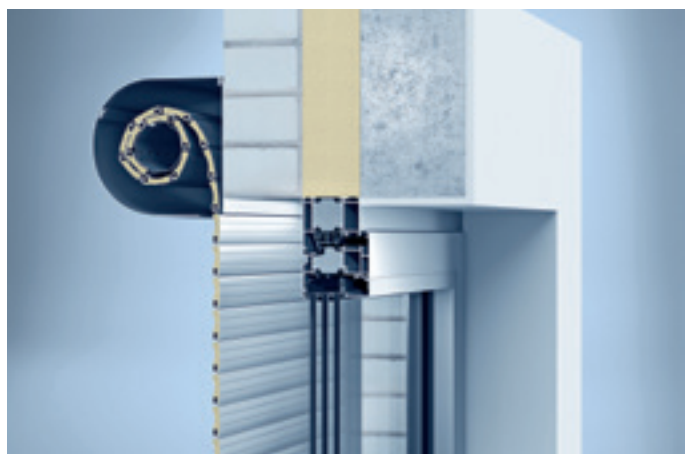
The daylight system heroal LC enables glare-free room illumination with natural daylight, thanks to individually or completely steerable roller shutter slats. The system is completely lockable like roller shutters, yet collapsible like Venetian blinds.



### heroal rs hybrid

The almost noiseless heroal rs hybrid combines the advantages of roller shutters and sun protection and offers the possibility of full or partial darkening. Aluminium on the outside provides security, textile on the inside for more living comfort.





### **Roller shutter systems**

Our roller shutter systems for new construction and renovation are available in front, top or insulation boxes, and offer protection against wind and hail (hail impact class 2 to 7) and burglary (up to RC 3 – up to RC 4 in combination with heroal window systems).



### **Roller door systems**

heroal systems for roller doors, ceiling doors and roller grilles are user-friendly and safe. Generous structures can also be closed in a design-oriented and space-saving manner. Available with gear, side or centre drive depending on requirements.

## heroal Insect Protection Systems

More quality of life



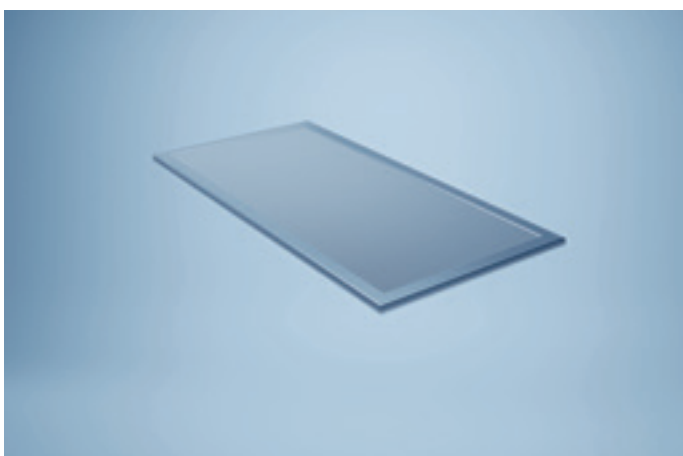
### **heroal IS Integrated**

The unified system solution for integrated roll-up insect screen installation in roller shutter casings.



### **heroal IS Pleated**

The stable, even horizontal folds in the screen remain in place in any chosen position.



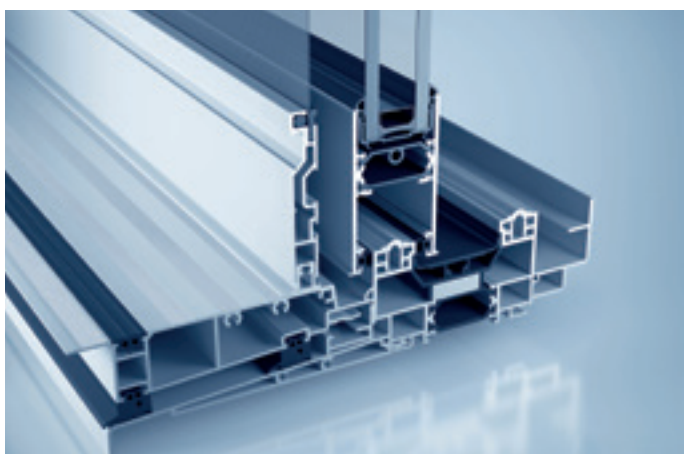
### **heroal IS Light Shaft Cover**

This light shaft cover provides optimal protection from insects while remaining easy to clean.



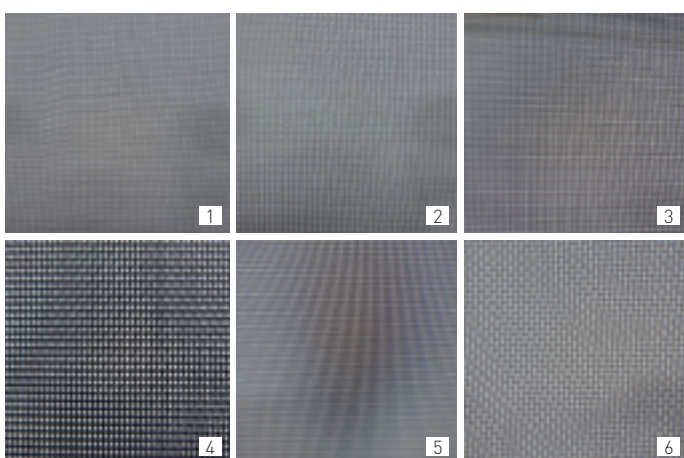
**heroal IS KIS**

The aftermarket insect screen solution for rapid mounting on windows and doors.



**heroal IS Sliding Door**

The high-quality sliding system for especially large door openings to patios and gardens.



**heroal IS Fabric**

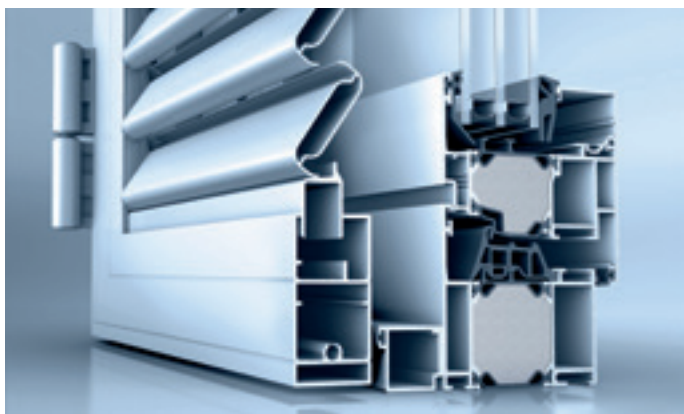
heroal offers the following types of insect screens:

1. heroal IS Classic
2. heroal IS Light
3. heroal IS Advantage
4. heroal IS PET
5. heroal IS Clear
6. heroal IS Stainless



## heroal Folding and Sliding Shutters

For individual design requirements

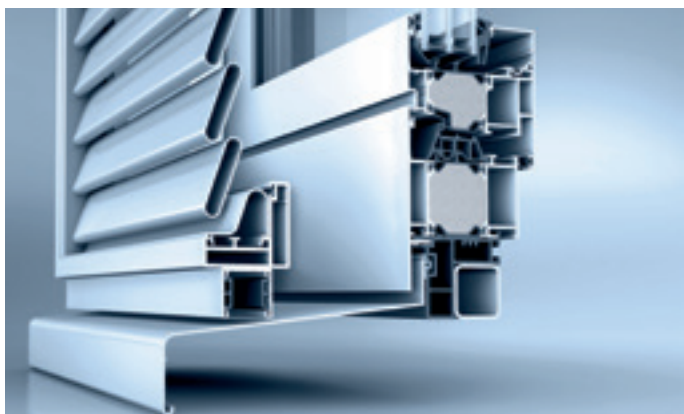


### heroal LS Folding and Sliding Shutters

Uninsulated single-chamber system for Folding and Sliding Shutters

#### Design variants

- » folding shutter, one- and two-casement
- » folding shutter with fixed or movable slats
- » folding shutter as folding system
- » sliding systems with two-track design
- » integration of insect screens possible
- » casement width folding shutter max.  
W x H 1,000 x 2,500 mm
- » casement width max.  
W x H 800 x 2,600 mm,  
2,000 x 2,100 mm



## heroal Terrace Roof and Carport Solutions

Easy assembly and modern design



### heroal CR

The heroal CR system for Terrace Roofs and Carports impresses with its modern softline design, ease of installation and simple, cost-effective production. The extensive range of heroal system accessories ensures a wide variety of design options.

## Single-Family House

Menden, Germany

### Used heroal systems

- » heroal W 72 window system
- » heroal S 77 SL lifting-sliding system
- » heroal C 50 curtain wall system
- » heroal RS 37 roller shutter system, FMR HC

*Visual accents*









## Architectural House

Varnsdorf, Czech Republic



### Used heroal systems

- » heroal W 72 window system
- » heroal D 72 door system
- » heroal S 77 HI lifting-sliding system
- » heroal C 50 HI curtain wall system

*innovative  
concept*



## Architectural House

Varnsdorf, Czech Republic

### Used heroal systems

- » heroal W 72 window system
- » heroal D 72 door system
- » heroal S 77 HI lifting-sliding system
- » heroal C 50 HI curtain wall system





heroal





## Architectural House

Varnsdorf, Czech Republic

### Used heroal systems

- » heroal W 72 window system
- » heroal D 72 door system
- » heroal S 77 HI lifting-sliding system
- » heroal C 50 curtain wall system



## The heroal Project Service

Supporting you through all work phases

Architects, planners and project developers are well advised by the heroal Project Service:

- » help with system selection
- » bill of quantities creation
- » master detail creation
- » development of special solutions
- » seminars and training
- » creation of bidder lists
- » BIM data

Discover our architects area at  
[www.heroal.com](http://www.heroal.com)

**Contact:**

Phone + 49 5246 507-5156

Mail [objekt@heroal.de](mailto:objekt@heroal.de)



**Your contact person:**

┌

┐

┌

┐

**Your contact person:**

┌

┐

┌

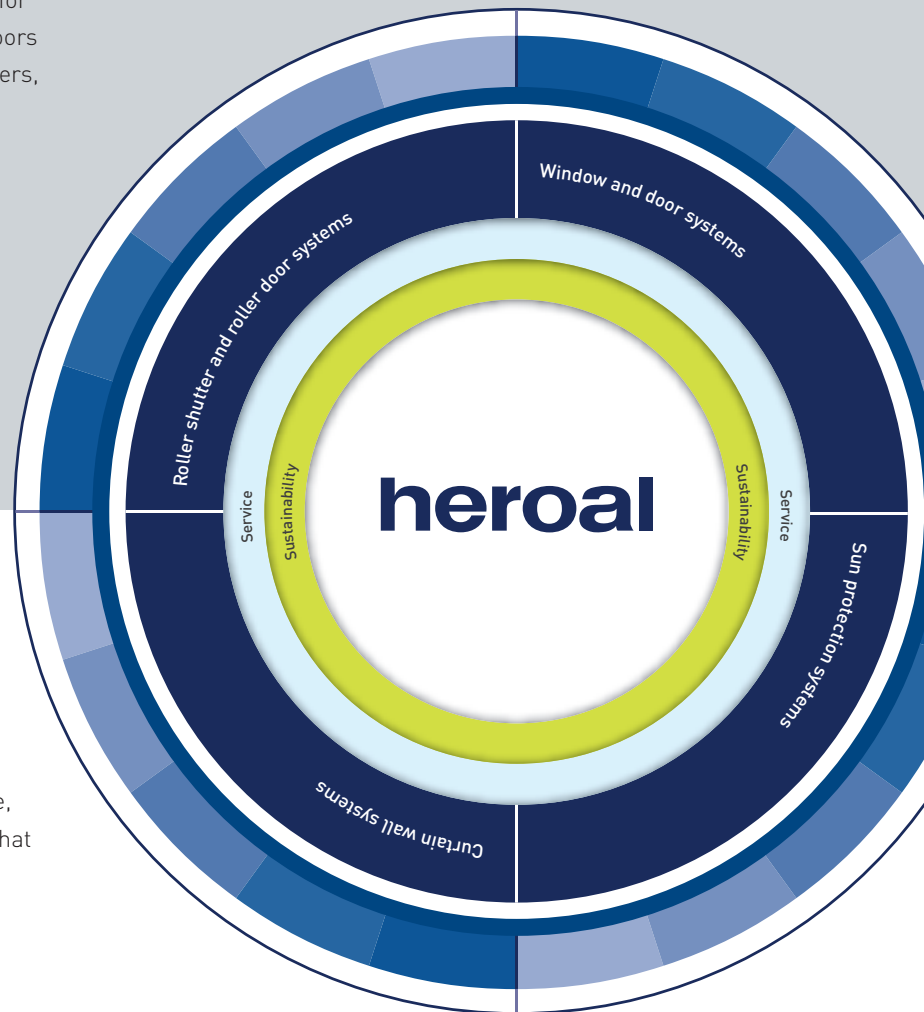
┐

# heroal – the aluminium systems supplier

As one of the leading aluminium system suppliers, heroal develops and produces optimally coordinated systems for windows, doors, curtain walls, roller shutters, roller doors and sun protection, as well as folding and sliding shutters, insect screens, terrace roofs and carports. Thanks to minimum energy consumption in manufacturing and maximum energy conservation while in use, heroal system solutions make a decisive contribution towards sustainable building, while also offering highly economical processing and increasing the value of buildings.

## Innovation, service, design, sustainability

The heroal brand stands for system solutions that combine practical innovations, industry-leading service, comprehensive sustainability and high-quality design that can be integrated into any architectural concept.



Roller shutters | Sun protection | Roller doors | Windows | Doors | Curtain walls | Service

**heroal – Johann Henkenjohann GmbH & Co. KG**

Österwieher Str. 80 | 33415 Verl (Germany) | Tel. +49 5246 507-0 | Fax +49 5246 507-222 | [www.heroal.com](http://www.heroal.com)