

The efficient door system for applications without high insulation requirements

# Front door system heroyal D 65

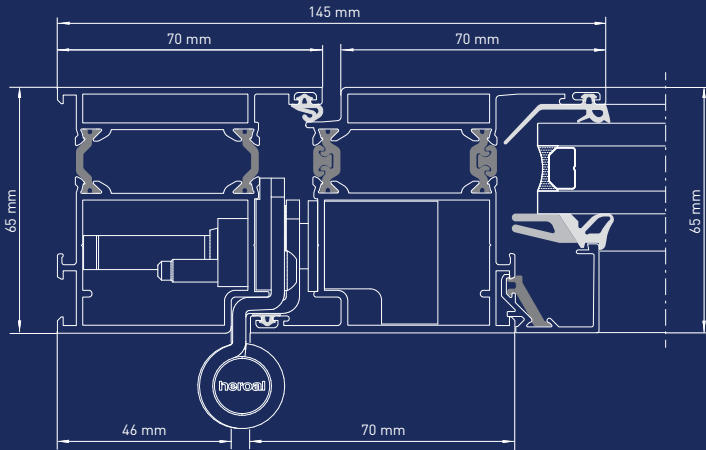


**heroyal**

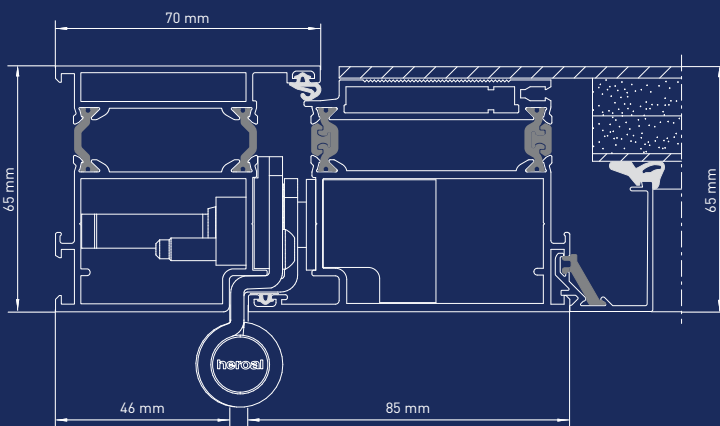
# heroal D 65

## Efficient system solution for appealing doors

Sectional views, scale 1:2



Inward opening









Inward opening, single-sided casement-enclosing infill

### System dimensions and performance features

- » Installation depth: 65/65 mm
- » Variable view widths: frame 50 – 250 mm, casement 70 – 124 mm, cross bars 74 – 254 mm
- » Max. thickness of infill panel/glass: frame up to 47 mm, casement up to 47 mm (infill panel/glass)
- » Glazing seals with narrow views, continuously retractable, suitable for a variety of energy conservation requirements
- » Thermally insulated, 3-chamber profile system for international requirements
- » Patented, warp-resistant profile compound

### Design options

- » Opening types: single- and multi-part elements with side section and fanlights
- » Single- and multi-part form elements with side section or fanlight as semicircular, segmental or three-centre arches.
- » Framed HT casement frame with base and single-sided casement-enclosing infill
- » Wide range of profiles with narrow view widths ensures high transparency for new builds and renovations
- » Sophisticated, flush casement geometry
- » Threshold layouts with two sealing levels and accessible flat threshold as well as brush seal
- » System-compatible window system: heroal W 65
- » Can be integrated in the heroal C 50 curtain wall system for entrance façades
- » Colour design with high-quality heroal hwr powder coating

Heat insulation ( $U_o$ in $W/m^2K$ )	 1,6	Wind load resistance DIN EN 12210	 C3
Air permeability DIN EN 12207	 4	Soundproofing class (SSK) DIN EN ISO 717-1	 1-3
Tightness against driving rain DIN EN 12208	 5A	Burglary resistance (RC) DIN V ENV 1627	 RC3

The heroal brand stands for sustainable system solutions that set industry standards by means of practical innovations, service that leads the way in the industry and high-quality design that can be integrated into every type of architecture. More information about

heroal services such as surface coating, the heroal profile bending and edging service and the performance features of heroal products can be found at [www.heroal.com](http://www.heroal.com)

**heroal – Johann Henkenjohann GmbH & Co. KG**

Österwieher Str. 80 | 33415 Verl (Germany) | Tel. +49 5246 507-0 | Fax +49 5246 507-222 | [www.heroal.com](http://www.heroal.com)

Item no. 88156 30 00 | 01.2015